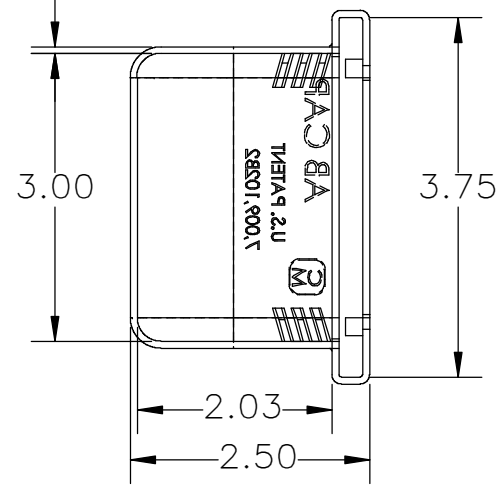
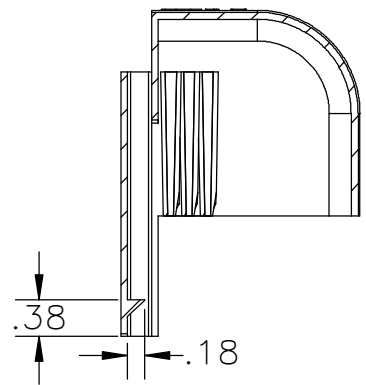
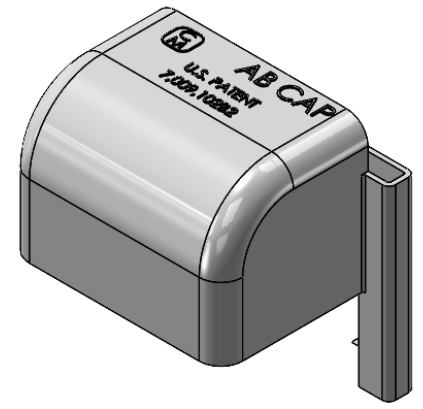
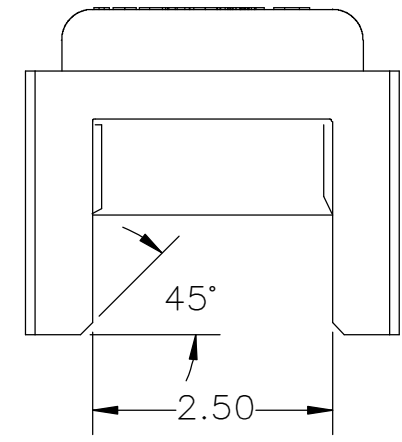
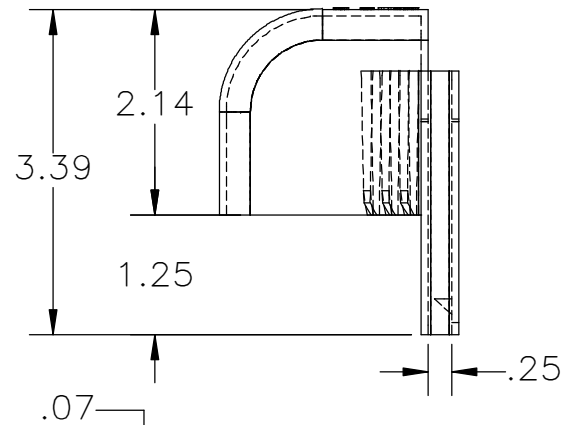
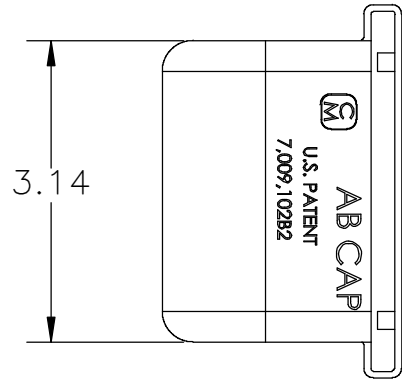
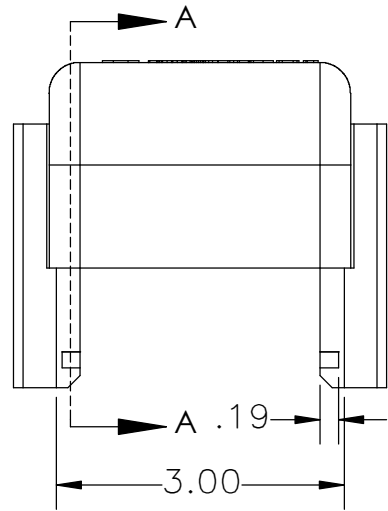


PROPRIETARY INFORMATION  
 THE INFORMATION CONTAINED ON THIS DRAWING IS CONSIDERED PROPRIETARY AND MAY NOT, IN WHOLE OR IN PART, BE REPRODUCED OR USED FOR THE MANUFACTURE OF THE PART DISCLOSED HERE-IN WITHOUT THE WRITTEN PERMISSION OF CENTRAL MOLONEY, INC.

NO. 70380349

UNCONTROLLED



SECTION A-A

THIS IS A PURCHASED PART  
 B.O.M. IS FOR REFERENCE ONLY

1	POLYPROPYLENE	70000026	.07	LB.
ITEM NO.	DESCRIPTION	RM-PP-CC NO.	QTY.	U/M

7	ADDED RIBS TO INSIDE OF GUARD	3016	1/3/23
6	CHANGED TO A PURCHASED PART.	2693	1/15/15
5	DELETED ITEM #2 PART 70050080 FROM B.O.M.	2253	2/5/10
4	ADDED U.S. PATENT 7,009,102.	1967	4/7/06
3	CHANGED DESCRIPTION IN TITLE BLOCK WAS AB CAP.	1952	1/19/06
2	REMOVE SLOT IN LATCH.	1863	1/19/05
1	ADDED ITEM NO. 2 TO B.O.M.	1752	10/20/03
NO.	REVISION	ECN NO.	DATE

DRWN BY B.M. SCALE: 1:2  
 DATE 5/19/03  
 TOLERANCE UNLESS OTHERWISE SPECIFIED  
 X = ± .100  
 .XX = ± .050 .XXX = ± .010

NOTE: ALL DIMENSIONS ARE IN INCHES

**Central Moloney, Inc.**  
 Components Operation  
 5500 Jefferson Parkway—Phone (870) 247-5320—Pine Bluff, Arkansas 71602

TITLE **ARRESTER BRACKET WILDLIFE GUARD** NO. **70380349** REV. **7**