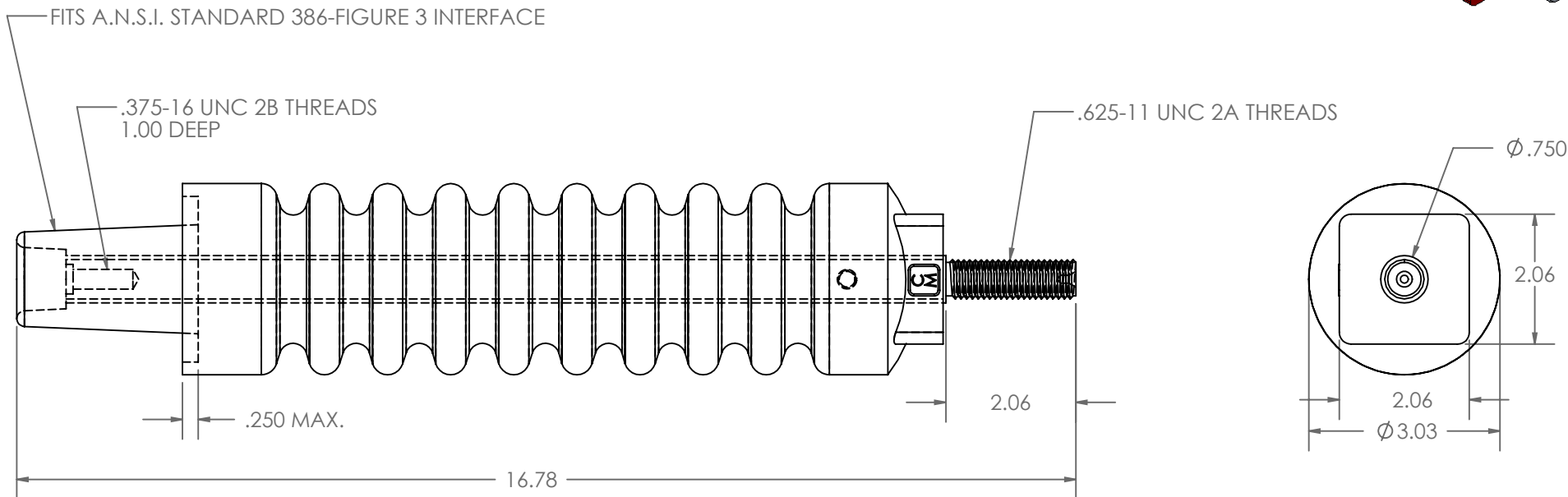
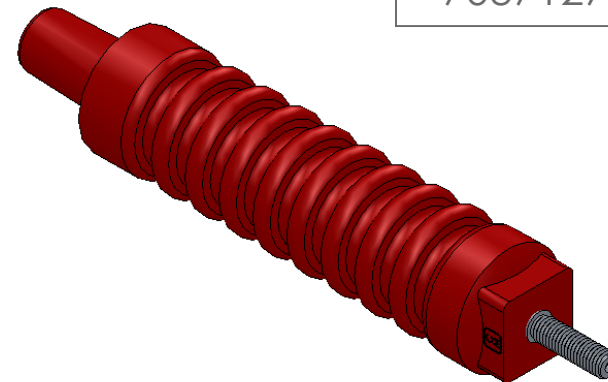


**PROPRIETARY INFORMATION**

THE INFORMATION CONTAINED ON THIS DRAWING IS CONSIDERED PROPRIETARY AND MAY NOT, IN WHOLE OR IN PART, BE REPRODUCED OR USED FOR THE MANUFACTURE OF THE PART DISCLOSED HERE-IN WITHOUT THE WRITTEN PERMISSION OF CENTRAL MOLONEY, INC.

NO. 70371272

**COPPER CONDUCTOR**



**ELECTRICAL RATING: 150 KV B.I.L.**

NOTE: THIS TEST PLUG IS NOT INTENDED FOR OUTSIDE APPLICATION, IT IS DESIGNED ONLY FOR PRODUCTION LINE TESTING.

**PACKING NOTE**

CUSTOMER DATA SHEETS (CDS 37 001) TO BE SHIPPED IN BOX WITH BUSHING.

NOTE: ALL DIMENSIONS ARE IN INCHES

2	CUSTOMER DATA SHEETS	70370020	1	EA.
1	TEST BUSHING	70371202	1	EA.
ITEM NO.	DESCRIPTION	RM-PP-CC NO.	QTY.	U/M

DRAWN BY <b>B.M.</b>	SCALE SCALE: 1:8		Central Moloney, Inc. Components Operation	
DATE 1/13/10	5500 Jefferson Parkway-Phone (870) 247-5320-Pine Bluff, Arkansas 71602			
TOLERANCE UNLESS OTHERWISE SPECIFIED .X=±.100 .XX=±.050    .XXX=±.010		TITLE TEST BUSHING 200 AMP WELL INTERFACE	NO. 70371272	REV.