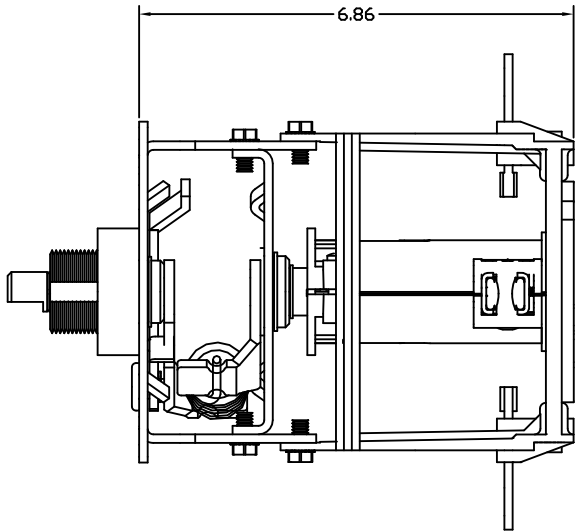
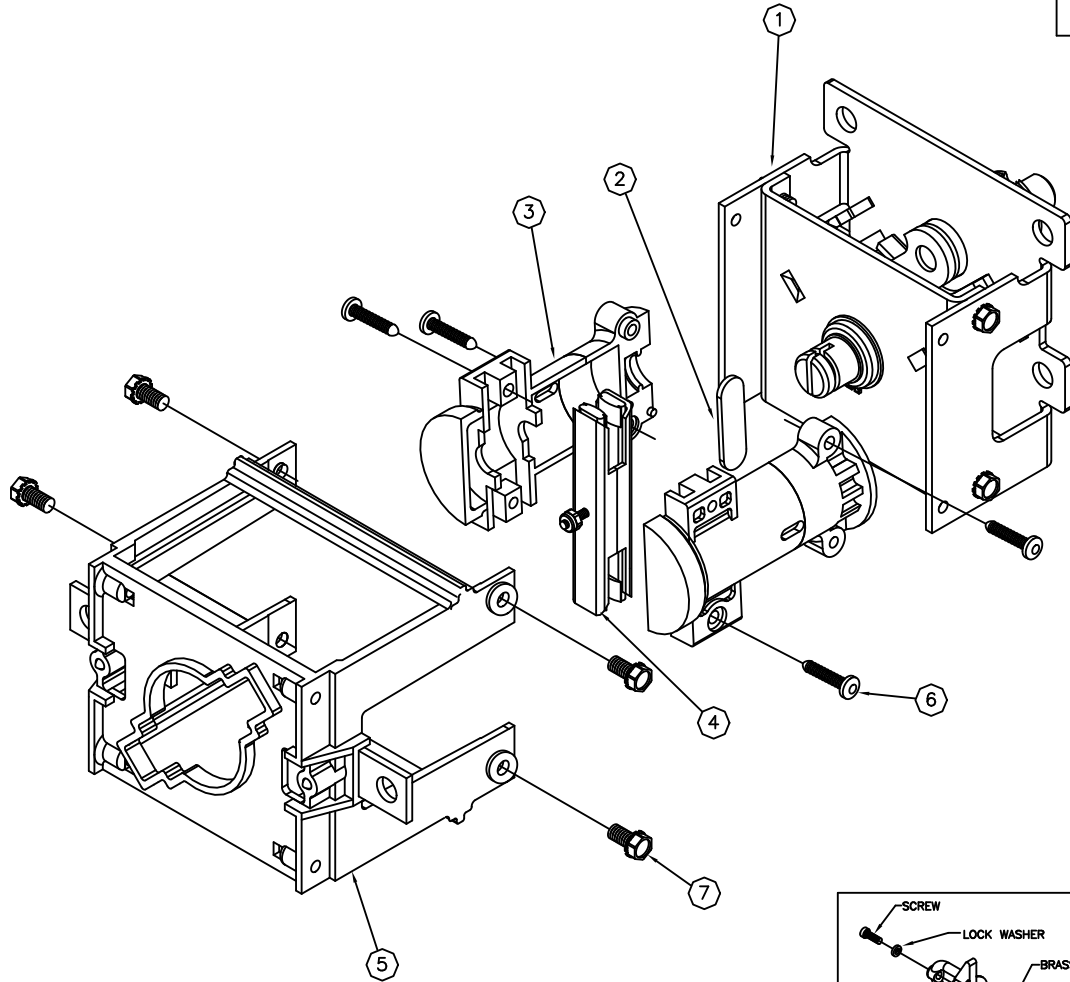


PROPRIETARY INFORMATION
 THE INFORMATION CONTAINED ON THIS DRAWING IS CONSIDERED PROPRIETARY AND MAY NOT, IN WHOLE OR IN PART, BE REPRODUCED OR USED FOR THE MANUFACTURE OF THE PART DISCLOSED HERE-IN WITHOUT THE WRITTEN PERMISSION OF CENTRAL MOLONEY, INC.



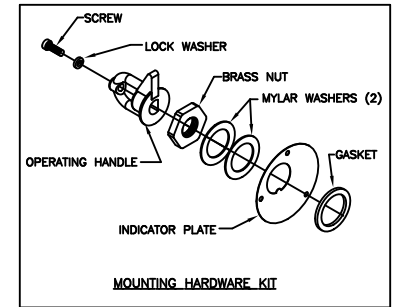
TOP VIEW



NOTE

- 1. TORQUE ITEM NO. 6 TO 30-40 IN./LB.
- 2. TORQUE ITEM NO. 7 TO 75-85 IN./LB.

NOTE:
 SPECIAL SINGLE NIBBED
 INDICATOR PLATE.



NOTE: ALL DIMENSIONS ARE IN INCHES

ITEM	DESCRIPTION	RM-PP-CC NO.	QTY	U/M
8	MOUNTING HARDWARE KIT (SEE DETAIL)	70340182	1	EA.
7	.25-20 x .50 SELF TAPPING SCREW	20019500	4	EA.
6	#10 x 1.0" BOSSCREW	70001310	4	EA.
5	SWITCH BASE ASSEMBLY	70340157	1	EA.
4	CONTACT ASSEMBLY	70340158	1	EA.
3	ROTOR	70340100	2	EA.
2	TORQUE TRANSFER BAR	70340120	1	EA.
1	TOGGLE MECHANISM	70340163	1	EA.

DRWN BY B.M.	SCALE FULL
DATE 7/20/09	
TOLERANCE UNLESS OTHERWISE SPECIFIED .X=±.100 .XX=±.050 .XXX=±.010	

	Central Moloney, Inc. Components Operation	
	5500 Jefferson Parkway—Phone (870) 247-5320—Pine Bluff, Arkansas 71602	
TITLE	NO.	REV.
LOADBREAK SWITCH ASSEMBLY SINGLE NUT MTC., 1 DECK, WALL MTD., W/ MTG. HDW.	70341666	

NO.	REVISION	ECN NO.	DATE