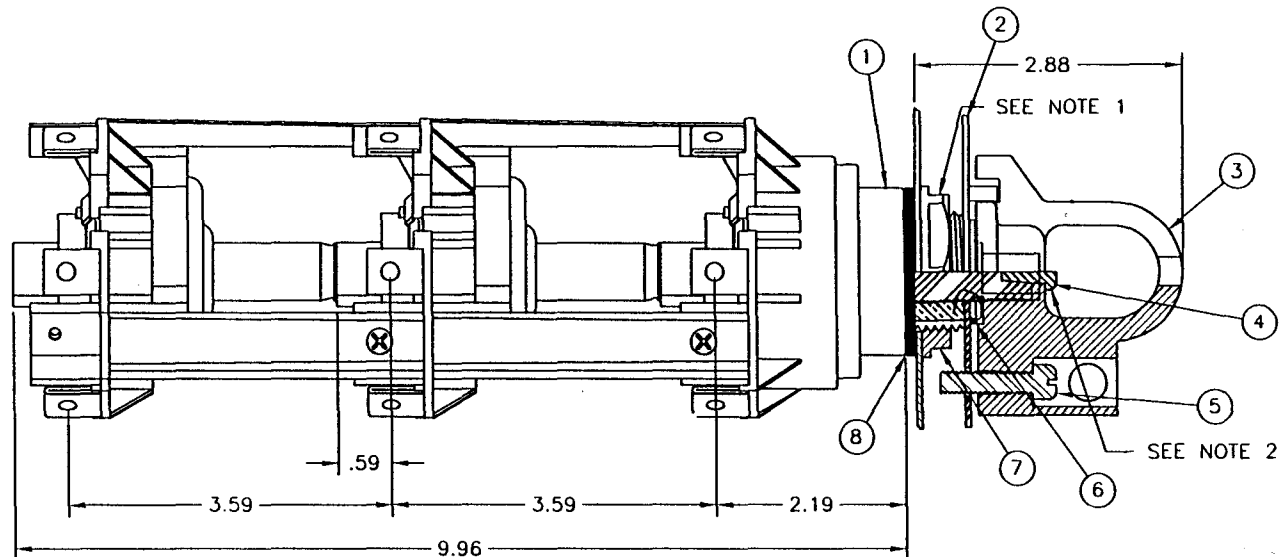
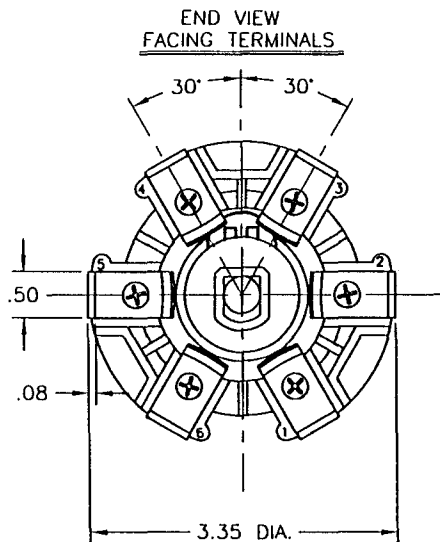


**PROPRIETARY INFORMATION**  
 THE INFORMATION CONTAINED ON THIS DRAWING IS CONSIDERED PROPRIETARY AND MAY NOT, IN WHOLE OR IN PART, BE REPRODUCED OR USED FOR THE MANUFACTURE OF THE PART DISCLOSED HERE-IN WITHOUT THE WRITTEN PERMISSION OF CENTRAL MOLONEY, INC.

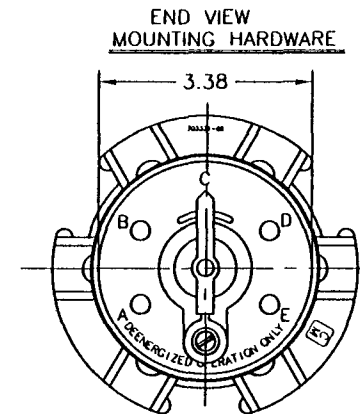
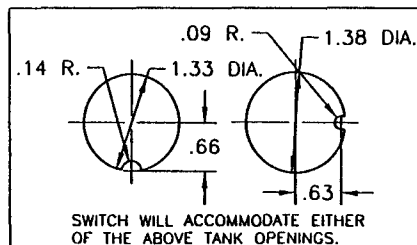


- NOTES:
1. TAP CHANGER MOUNTING NUT INSTALLATION TORQUE IS 8-9 FT./LBS.
  2. HOOK STICK MOUNTING SCREW INSTALLATION TORQUE IS 20-25 IN./LBS.

PACKAGING NOTE:

-BULK PACKED-

B/M ITEMS 2-8 ARE PACKED SEPARATELY IN A PLASTIC BAG, IN THE SAME QUANTITY AS SWITCHES BEING SHIPPED IN THE CONTAINER.



CC:9922

ITEM	DESCRIPTION	RM-PP-CC-NO	QTY	U/M
8	GASKET BUNA'N'	321618-09	1	EA.
7	NUT	703200-21	1	EA.
6	SNAP RING (IND. PL. RETAINER)	703331-05	1	EA.
5	.25" X 20 X 1" BRASS SCREW	200100-04	1	EA.
4	SCREW SELF TAPPING S.S.	200139-08	1	EA.
3	OPERATING KNOB	703242-10	1	EA.
2	TAP POSITION INDICATOR PLATE	703242-11	1	EA.
1	TAP CHANGER ASSYMBLY	703333-50	1	EA.

ELECTRICAL RATINGS			
IMPULSE (KV BIL)	AC HI-POT (KV)	CONTINUOUS CURRENT (AMPS)	FAULT CURRENT (AMPS)
150	50	100	2500 FOR 2 SECONDS

NOTE: ALL DIMENSIONS ARE IN INCHES.

DATE	3/25/98
SCALE	R.O. FULL
TOLERANCE UNLESS OTHERWISE SPECIFIED	.X = ± .100 .XX = ± .050 .XXX = ± .010

5500 Jefferson Parkway-Phone (870) 247-5320-Pine Bluff, Arkansas 71602

**Central Moloney, Inc.**  
**Components Operation**

TAP CHANGER ASSEMBLY W/ STANDARD CONTACTS

703333-58 1