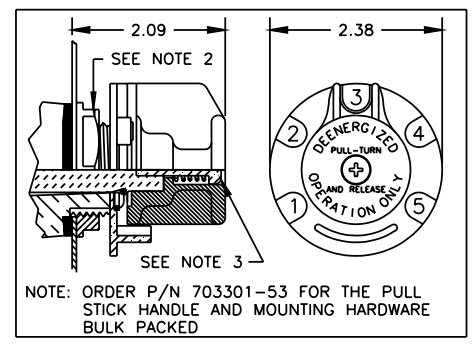
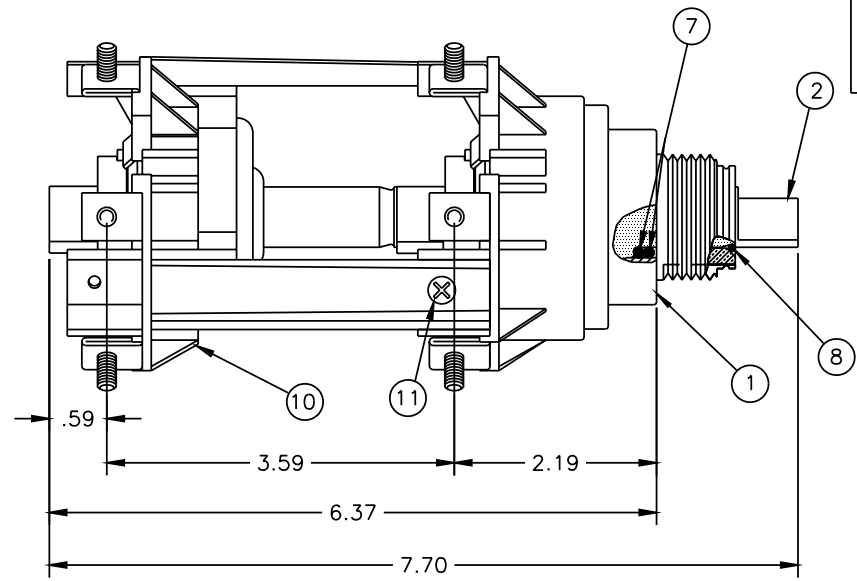
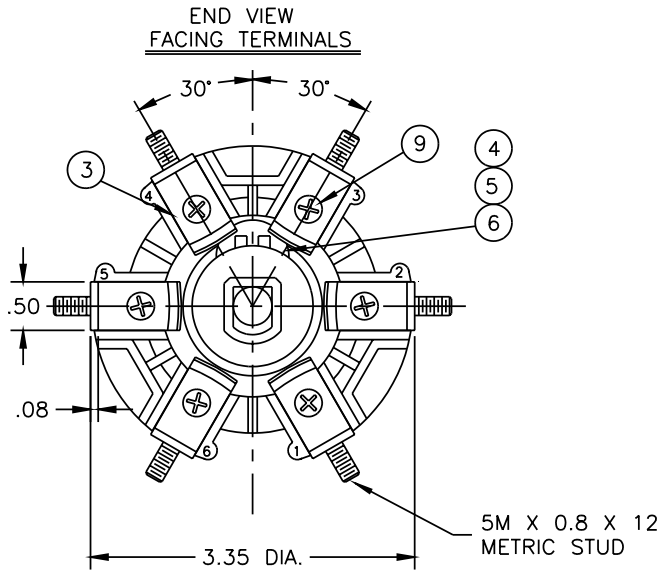
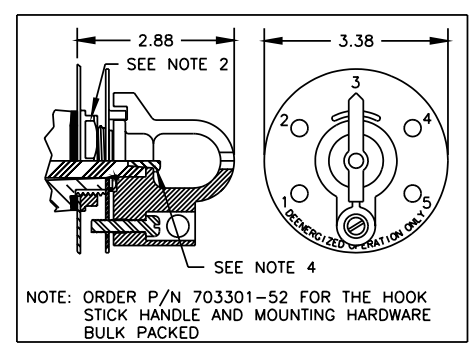
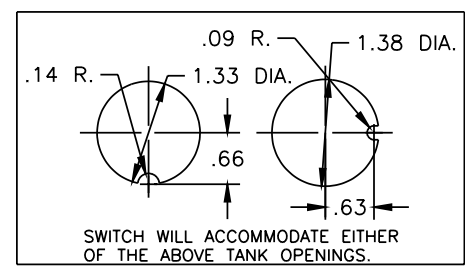


PROPRIETARY INFORMATION
 THE INFORMATION CONTAINED ON THIS DRAWING IS CONSIDERED PROPRIETARY AND MAY NOT, IN WHOLE OR IN PART, BE REPRODUCED OR USED FOR THE MANUFACTURE OF THE PART DISCLOSED HERE-IN WITHOUT THE WRITTEN PERMISSION OF CENTRAL MOLONEY, INC.



NOTE: ORDER P/N 703301-53 FOR THE PULL STICK HANDLE AND MOUNTING HARDWARE BULK PACKED

- NOTES: 1. ITEM # 7 SEALING "O" RINGS ARE LUBRICATED WITH SILICON GREASE.
 2. TAP CHANGER MOUNTING NUT INSTALLATION TORQUE IS 8-9 FT./LBS.
 3. PULL HANDLE MOUNTING SCREW INSTALLATION TORQUE IS 20-25 IN./LBS.
 4. HOOK STICK MOUNTING SCREW INSTALLATION TORQUE IS 20-25 IN./LBS.
 5. PICK HANDLE STYLE AND ORDER BY PART NO. SEPARATELY.
 6. ITEM #9 INSTALLATION TORQUE IS 18-22 IN./LBS.
 7. ITEM #11 INSTALLATION TORQUE IS 8-10 IN./LBS.



NOTE: ORDER P/N 703301-52 FOR THE HOOK STICK HANDLE AND MOUNTING HARDWARE BULK PACKED

ITEM	1	2	3	4	5	6	7	8	9	10	11
ASSY. NO.	BASE W/GLAND 703331-00	ROTOR 703331-01	STATIONARY CONTACT 703300-39	CONTACT WHEEL 703300-18	SPRING 703200-18	YOKE 703200-15	"O"RING (VITON) 200035-36	"O"RING (ROTOR RETAINER) 200035-26	SCREW SELF TAPPING 2000139-06	BASE W/O GLAND 703331-04	SCREW SELF TAPPING 200139-09
32-66	1	2	12	2	2	2	2	1	12	1	3

ELECTRICAL RATINGS			
IMPULSE (KV BIL)	AC HI-POT (KV)	CONTINUOUS CURRENT (AMPS)	FAULT CURRENT (AMPS)
150	50	100	2500 FOR 2 SECONDS

4	NOTE # 6 TORQUE VALUE WAS 13-16 IN./LB..	1296	6/8/00
3	NOTE NO. 2 TORQUE WAS 8.5 FT./LBS NOTES NO. 6 & 7 WERE ADDED ELEC. RATING TABLE WAS ADDED	1071	2/12/98
2	ITEM NO. 4 P/N WAS 32148003.	849	5/15/96
1	1. HOOK STICK HANDLE KIT ORDER No. WAS 703300-90 2. PULL HANDLE KIT ORDER No. WAS 703300-91	797	1/18/96
NO.	REVISION	ECN NO.	DATE

NOTE: ALL DIMENSIONS ARE IN INCHES.

DRWN BY	SCALE	Central Moloney, Inc. Components Operation	
B.M.	FULL	5500 Jefferson Parkway-Phone (870) 247-5320-Pine Bluff, Arkansas 71602	
DATE	5/15/96	TITLE	TAP CHANGER W/ METRIC STUDS
		NO.	703332-66
		REV.	4