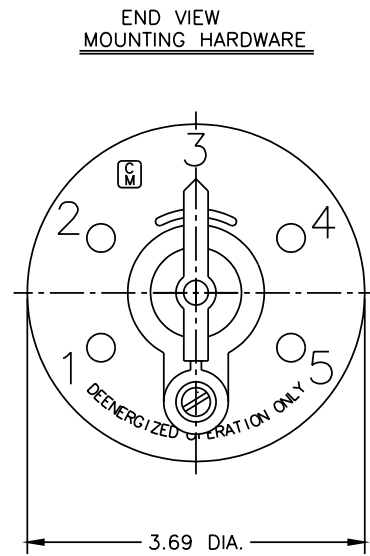
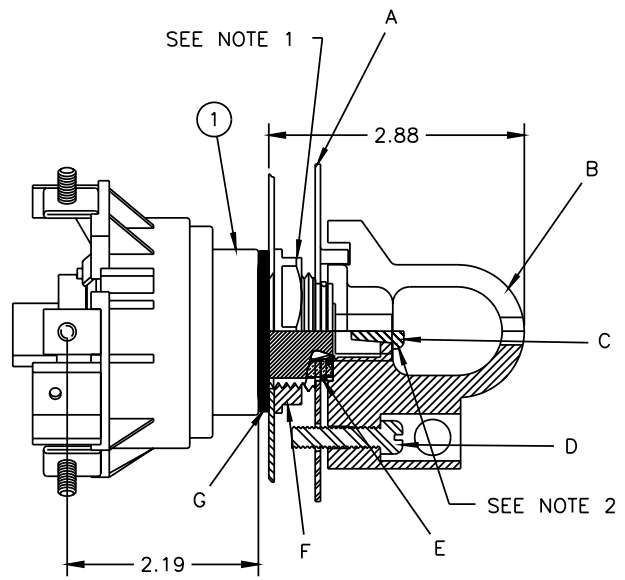
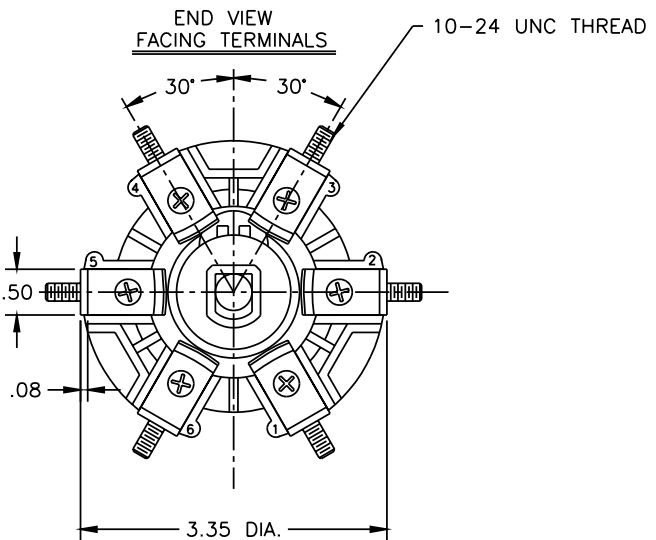


PROPRIETARY INFORMATION
 THE INFORMATION CONTAINED ON THIS DRAWING IS CONSIDERED PROPRIETARY AND MAY NOT, IN WHOLE OR IN PART, BE REPRODUCED OR USED FOR THE MANUFACTURE OF THE PART DISCLOSED HERE-IN WITHOUT THE WRITTEN PERMISSION OF CENTRAL MOLONEY, INC.



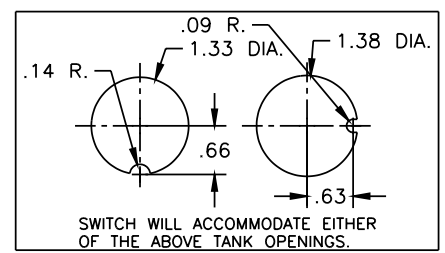
- NOTES: 1. TAP CHANGER MOUNTING NUT INSTALLATION TORQUE IS 8-9 FT./LBS.
 2. HOOK STICK MOUNTING SCREW INSTALLATION TORQUE IS 20-25 IN./LBS.

PACKAGING NOTE: -BULK PACKED-

MOUNTING HARDWARE IS BULK PACKED SEPARATELY IN A PLASTIC BAG, IN THE SAME QUANTITY AS SWITCHES BEING SHIPPED IN THE CONTAINER.

MOUNTING HARDWARE INCLUDES			
ITEM	DESCRIPTION	QTY.	U/M
A	INDICATOR PLATE	1	EA.
B	OPERATING KNOB	1	EA.
C	SCREW SELF TAPPING S.S.	1	EA.
D	.250-20 X 1" BRASS SCREW	1	EA.
E	SNAP RING (IND. PL. RETAINER)	1	EA.
F	NUT	1	EA.
G	GASKET (BUNA'N)	1	EA.

ELECTRICAL RATINGS			
IMPULSE (KV BIL)	AC HI-POT (KV)	CONTINUOUS CURRENT (AMPS)	FAULT CURRENT (AMPS)
150	50	100	2500 FOR 2 SECONDS



NOTE: ALL DIMENSIONS ARE IN INCHES.(UNLESS OTHERWISE NOTED)

CC:9170

ITEM	DESCRIPTION	RM-PP-CC-NO.	QTY.	U/M
2	MOUNTING HARDWARE	703301-57	1	EA
1	TAP CHANGER ASSY. W/ STUD CONTACTS	703331-60	1	EA

NO.	REVISION	ECN NO.	DATE	DRWN BY	SCALE
5	REVISED DRAWING B.O.M. TO LIST MOUNTING HARDWARE AS ONE NUMBER INSTEAD OF INDIVIDUAL PARTS.	1351	11/7/00	R.O.	FULL
4	METRIC STUD WAS REMOVED FROM DRAWING.	1280	4/13/00		
3	ADDED PACKAGING NOTE TO DRAWING.	1170	1/19/99		10/30/97
2	NOTE NO. 1 TORQUE WAS 8.5 FT./LBS ELEC. RATING TABLE WAS ADDED	1074	2/17/98		TOLERANCES UNLESS OTHERWISE SPECIFIED .X=± .100
1	ITEM NO. 2 WAS 703242-22	1068	1/15/98		.XX=± .050 .XXX=± .010

Central Moloney, Inc.
 Components Operation
 5500 Jefferson Parkway-Phone (870) 247-5320-Pine Bluff, Arkansas 71602
 TITLE TAP CHANGER NO. 703331-69 REV. 5
 W/HOOK HANDLE MTG. HDW.