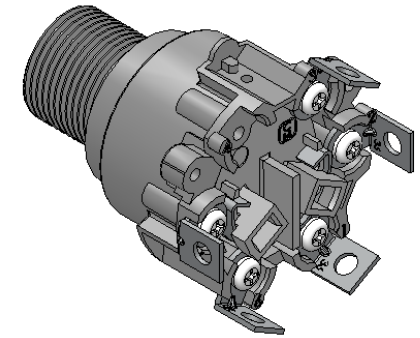
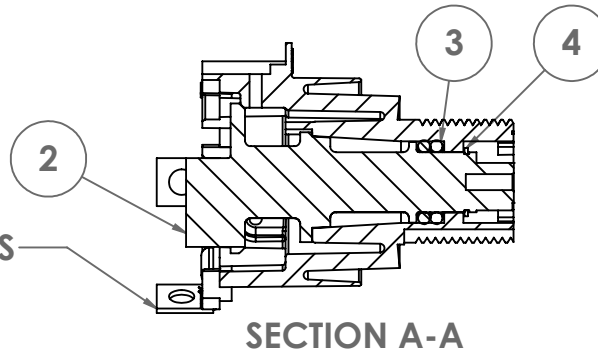


PROPRIETARY INFORMATION

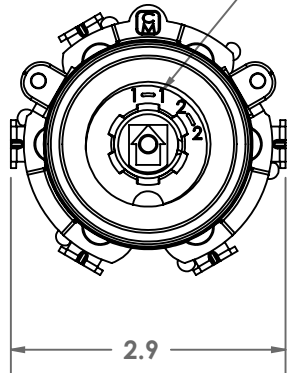
THE INFORMATION CONTAINED ON THIS DRAWING IS CONSIDERED PROPRIETARY AND MAY NOT, IN WHOLE OR IN PART, BE REPRODUCED OR USED FOR THE MANUFACTURE OF THE PART DISCLOSED HERE-IN WITHOUT THE WRITTEN PERMISSION OF CENTRAL MOLONEY, INC.

NO. 70327055

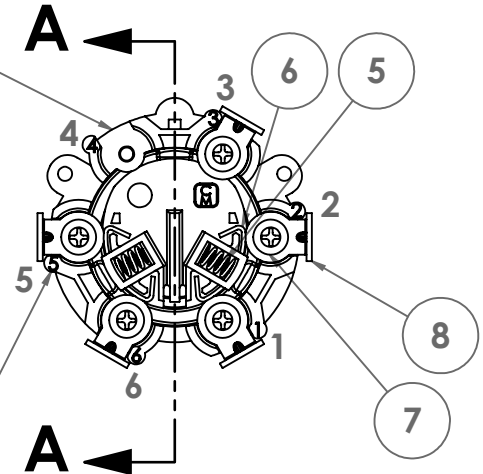
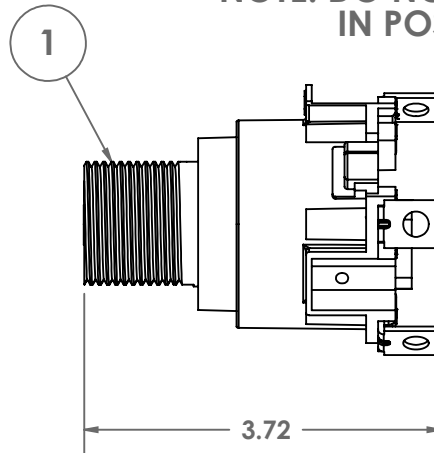
.25" BOLT TAB x 90° TERMINALS



POSITION INDICATION NUMBERS (1-1 AND 2-2)



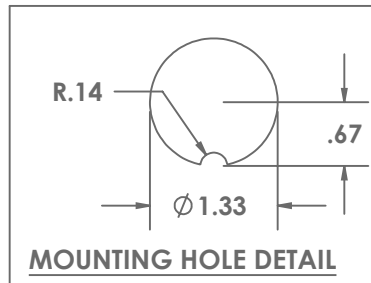
NOTE: DO NOT INSTALL CONTACT IN POSITION # 4 ONLY.



NOTE:
 1. O-RINGS LUBRICATED WITH PETROLEUM JELLY OR APPROVED SILICON GREASE.
 2. RECOMMENDED TORQUE FOR ITEM NO. 7 TO BE 8 TO 12 INCH POUNDS.

STATIONARY CONTACT NUMBERS

8	BOLT TAB TERMINAL	70327036	5	EA.
7	SCREW #10 x .50	20013906	5	
6	CONTACT - ROTOR	70327000	2	
5	SPRING -DV ROTOR	70327005	2	
4	RETAINING RING S.S.	70001318	1	
3	O-RING VITON	20003536	2	
2	D.V. ROTOR	70327001	1	
1	DV SWITCH BODY	70327002	1	
ITEM NO.	DESCRIPTION	RM-PP-CC NO.	QTY.	U/M



ELECTRICAL RATINGS (UNDER OIL)			
IMPULSE (KV Bil)	AC HI-POT (KV)	CONTINUOUS CURRENT AMPS	FAULT CURRENT AMPS
125	40 (1 MIN.)	50	1750

NOTE: ALL DIMENSIONS ARE IN INCHES

2	ELECTRICAL RATINGS WERE: CONTINUOUS CURRENT AMPS 25 AND FAULT CURRENT AMPS 1000 (1 SEC.).	2465	3/8/12
1	ADDED NOTE: DO NOT INSTALL CONTACT IN POSITION # 4 ONLY.	2381	4/28/11
NO.	REVISION	ECN NO.	DATE

DRWN BY B.M.	SCALE SCALE: 1:2
DATE 12/9/09	
TOLERANCE UNLESS OTHERWISE SPECIFIED .X=±.100 .XX=±.050 .XXX=±.010	



Central Moloney, Inc.
 Components Operation

5500 Jefferson Parkway-Phone (870) 247-5320-Pine Bluff, Arkansas 71602

TITLE 2:1 DV SWITCH ASSEMBLY .25" BOLT TAB - 90°	NO. 70327055	REV. 2
--	------------------------	------------------