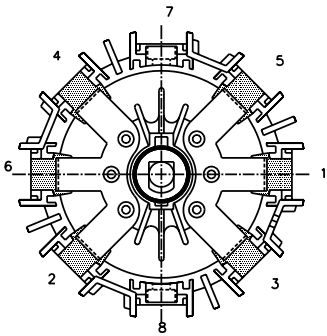
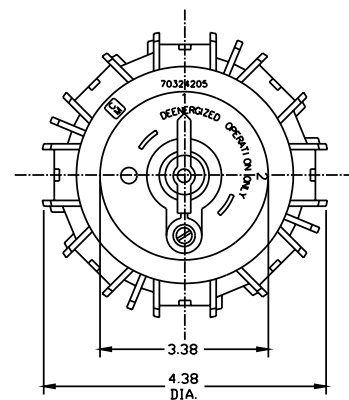
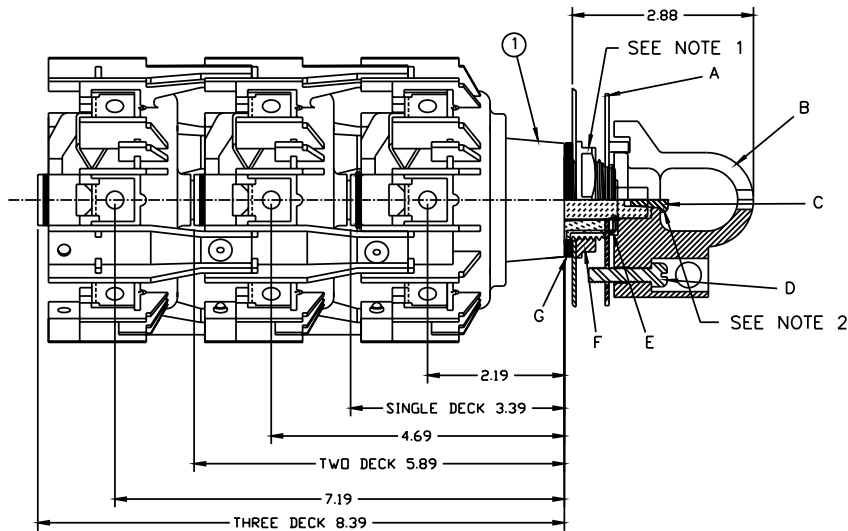
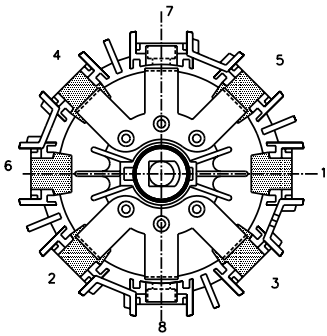


PROPRIETARY INFORMATION  
 THE INFORMATION CONTAINED ON THIS DRAWING IS CONSIDERED PROPRIETARY AND MAY NOT, IN WHOLE OR IN PART, BE REPRODUCED OR USED FOR THE MANUFACTURE OF THE PART DISCLOSED HERE-IN WITHOUT THE WRITTEN PERMISSION OF CENTRAL MOLONEY, INC.

TERMINAL LOCATION AT "B" HANDLE POSITION



TERMINAL LOCATION AT "A" HANDLE POSITION



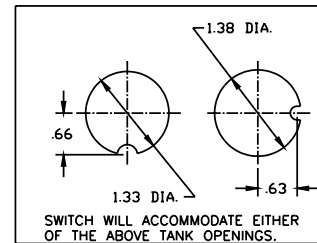
NOTES:

1. D.V. MOUNTING NUT INSTALLATION TORQUE IS 8-9 FOOT POUNDS.
2. HANDLE MOUNTING SCREW TORQUE IS 20-25 INCH POUNDS.

PACKAGING NOTE:

-BULK PACKED-

MOUNTING HARDWARE IS BULK PACKED SEPARATELY IN A PLASTIC BAG, IN THE SAME QUANTITY AS SWITCHES BEING SHIPPED IN THE CONTAINER.



MOUNTING HARDWARE INCLUDES			
ITEM	DESCRIPTION	QTY.	U/M
A	INDICATOR PLATE 2-1	1	EA.
B	OPERATING KNOB	1	EA.
C	SCREW SELF TAPPING S.S.	1	EA.
D	.250-20 X 1" BRASS SCREW	1	EA.
E	SNAP RING (IND. PL. RETAINER)	1	EA.
F	NUT	1	EA.
G	GASKET (BUNA'N')	1	EA.

ELECTRICAL RATINGS			
IMPULSE (KV BIL)	AC HI-POT (KV)	CONTINUOUS CURRENT (AMPS)	FAULT CURRENT SERIES CONNECTED (AMPS)
150	(1 MINUTE)	150 SERIES CONNECTED	3750 FOR 2 SECONDS
		300 PARALLEL CONNECTED	7500 FOR 0.5 SECONDS

NOTE: ALL DIMENSIONS ARE IN INCHES

CC:9170

ITEM	DESCRIPTION	RM-PP-CC NO.	QTY	U/M
2	MOUNTING HARDWARE	70320067	1	EA
1	DV SWITCH ASSY.	70324450	1	EA

NO.	REVISION	ECH NO.	DATE
3	REVISED DRAWING TO SHOW ID PLATE WITH 2-1 POSITION	1588	5/30/02
2	REVISED DRAWING B.O.M. TO LIST MOUNTING HARDWARE AS ONE NUMBER INSTEAD OF INDIVIDUAL PARTS.	1351	10/31/00
1	ADDED HATCH TO DEFINE STATIONARY CONTACTS.	1085	3/18/98

DRWN BY	SCALE
R.O.	FULL
DATE	11/5/97
TOLERANCE UNLESS OTHERWISE SPECIFIED	
.X=±.100	
.XX=±.050	.XXX=±.010

Central Moloney, Inc.  
 Components Operation  
 5500 Jefferson Parkway-Phone (870) 247-5320-Pine Bluff, Arkansas 71602

TITLE DV SWITCH ASSEMBLY NO. 70324457 REV. 3  
 W/ HOOK HANDLE MTG. HDW.