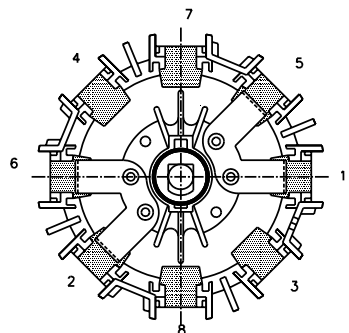


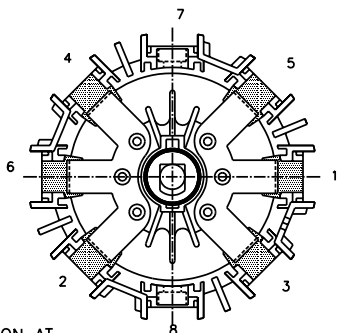
PROPRIETARY INFORMATION
 THE INFORMATION CONTAINED ON THIS DRAWING IS CONSIDERED PROPRIETARY AND MAY NOT, IN WHOLE OR IN PART, BE REPRODUCED OR USED FOR THE MANUFACTURE OF THE PART DISCLOSED HERE-IN WITHOUT THE WRITTEN PERMISSION OF CENTRAL MOLONEY, INC.

BACK DECK

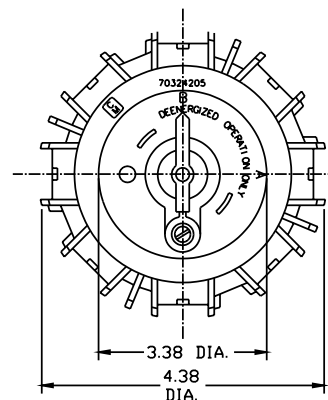
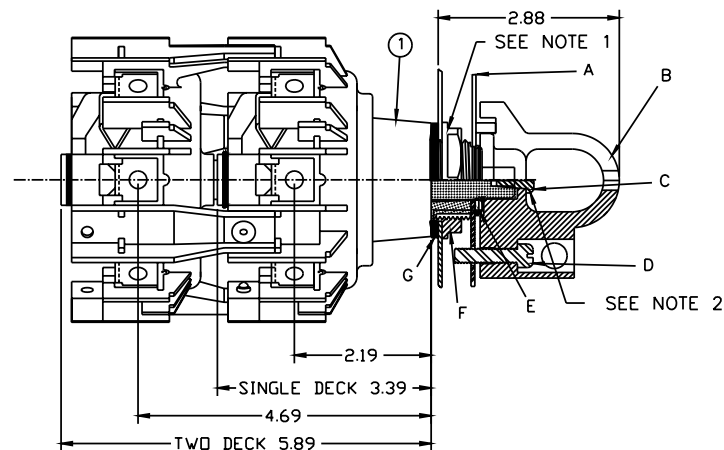
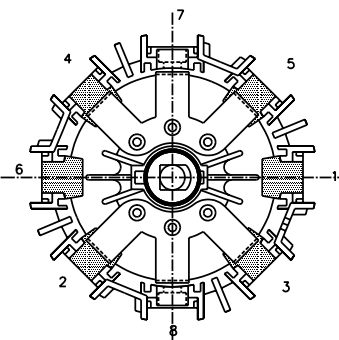
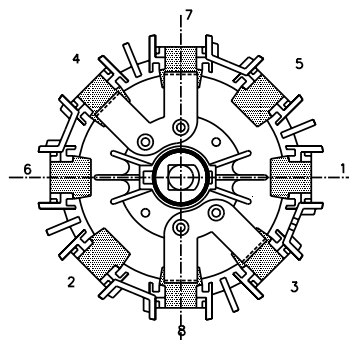


TERMINAL LOCATION AT "B" HANDLE POSITION

FRONT DECK

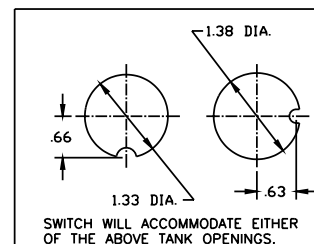


TERMINAL LOCATION AT "A" HANDLE POSITION



NOTES:

1. D.V. MOUNTING NUT INSTALLATION TORQUE IS 8-9 FOOT POUNDS.
2. HANDLE MOUNTING SCREW TORQUE IS 20-25 INCH POUNDS.



PACKAGING NOTE:

-BULK PACKED-

MOUNTING HARDWARE IS BULK PACKED SEPARATELY IN A PLASTIC BAG, IN THE SAME QUANTITY AS SWITCHES BEING SHIPPED IN THE CONTAINER.

MOUNTING HARDWARE INCLUDES			
ITEM	DESCRIPTION	QTY.	U/M
A	INDICATOR PLATE	1	EA.
B	OPERATING KNOB	1	EA.
C	SCREW SELF TAPPING S.S.	1	EA.
D	.250-20 X 1" BRASS SCREW	1	EA.
E	SNAP RING (IND. PL. RETAINER)	1	EA.
F	NUT	1	EA.
G	GASKET (BUNA'N')	1	EA.

ELECTRICAL RATINGS			
IMPULSE (KV BIL)	AC HI-POT (KV)	CONTINUOUS CURRENT (AMPS)	FAULT CURRENT SERIES CONNECTED (AMPS)
150	(1 MINUTE) 50	150 SERIES CONNECTED 300 PARALLEL CONNECTED	3750 FOR 2 SECONDS 7500 FOR 0.5 SECONDS


NOTE: ALL DIMENSIONS ARE IN INCHES

CC:9170

2	MOUNTING HARDWARE	703200-67	1	EA.
1	DV SWITCH ASSY.	703243-60	1	EA.
ITEM	DESCRIPTION	RM-PP-CC NO.	QTY	U/M

2	REVISED DRAWING B.O.M. TO LIST MOUNTING HARDWARE AS ONE NUMBER INSTEAD OF INDIVIDUAL PARTS.	1351	10/31/00
1	ADDED HATCH TO DEFINE STATIONARY CONTACTS.	1085	3/16/98
NO.	REVISION	ECH NO.	DATE

DRWN BY	SCALE
R.O.	FULL
DATE	11/5/97
TOLERANCE UNLESS OTHERWISE SPECIFIED	
.X = ± .100	
.XX = ± .050 .XXX = ± .010	


Central Moloney, Inc.
 Components Operation
 5500 Jefferson Parkway-Phone (870) 247-5320-Pine Bluff, Arkansas 71602
 TITLE DV SWITCH ASSEMBLY NO. 703243-66 REV. 2
 W/ HOOK HANDLE MTG. HDW.