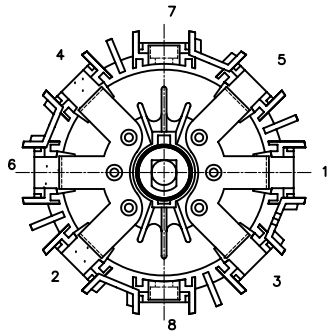


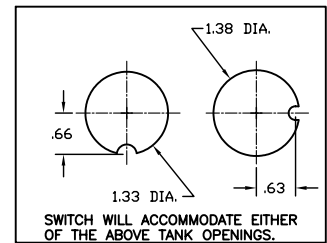
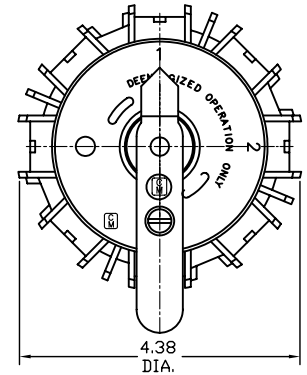
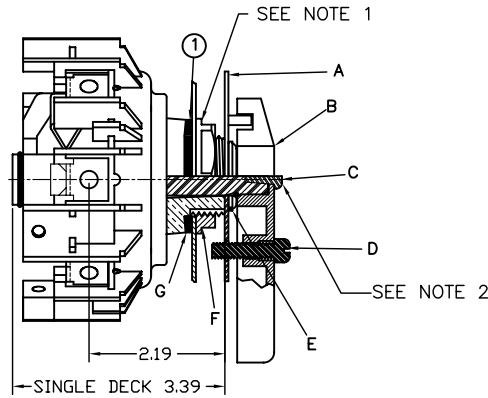
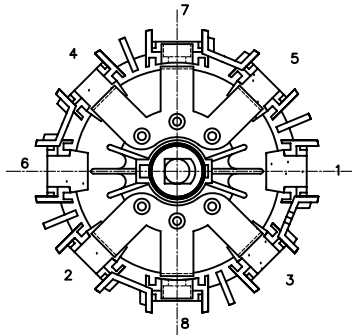
PROPRIETARY INFORMATION  
 THE INFORMATION CONTAINED ON THIS DRAWING IS CONSIDERED PROPRIETARY AND MAY NOT, IN WHOLE OR IN PART, BE REPRODUCED OR USED FOR THE MANUFACTURE OF THE PART DISCLOSED HERE-IN WITHOUT THE WRITTEN PERMISSION OF CENTRAL MOLONEY, INC.

NO. 70324266

TERMINAL LOCATION AT "B" HANDLE POSITION



TERMINAL LOCATION AT "A" HANDLE POSITION



NOTES:

1. D.V. MOUNTING NUT INSTALLATION TORQUE IS 8-9 FOOT POUNDS.
2. HANDLE MOUNTING SCREW TORQUE IS 20-25 INCH POUNDS.

PACKAGING NOTE:

-BULK PACKED-

MOUNTING HARDWARE IS BULK PACKED SEPARATELY IN A PLASTIC BAG, IN THE SAME QUANTITY AS SWITCHES BEING SHIPPED IN THE CONTAINER.

ELECTRICAL RATINGS			
IMPULSE (KV BIL)	AC HI-POT (KV)	CONTINUOUS CURRENT (AMPS)	FAULT CURRENT SERIES CONNECTED (AMPS)
150	(1 MINUTE) 50	150 SERIES CONNECTED 300 PARALLEL CONNECTED	3750 FOR 2 SECONDS 7500 FOR 0.5 SECONDS

MOUNTING HARDWARE INCLUDES			
ITEM	DESCRIPTION	QTY.	U/M
A	INDICATOR PLATE	1	EA.
B	OPERATING KNOB	1	EA.
C	SCREW SELF TAPPING S.S.	1	EA.
D	.250-20 X 1" BRASS SCREW	1	EA.
E	SNAP RING (IND. PL. RETAINER)	1	EA.
F	NUT	1	EA.
G	GASKET (BUNA'N)	1	EA.

2	MOUNTING HARDWARE	70320044	1	EA
1	DV SWITCH ASSY.	70324250	1	EA
ITEM	DESCRIPTION	RM-PP-CC NO.	QTY	U/M

NO.	REVISION	ECN NO.	DATE

DRWN BY <b>R.O.</b>	SCALE FULL
DATE 2/14/08	
TOLERANCE UNLESS OTHERWISE SPECIFIED .X=±.100 .XX=±.050 .XXX=±.010	

NOTE: ALL DIMENSIONS ARE IN INCHES



**Central Moloney, Inc.**  
**Components Operation**

5500 Jefferson Parkway-Phone (870) 247-5320-Pine Bluff, Arkansas 71602	
TITLE DV SWITCH ASSEMBLY W/ STRAIGHT HANDLE MTG. HDW.	NO. 70324266
REV.	