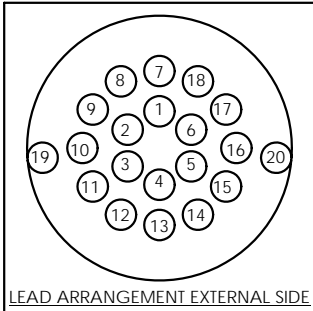
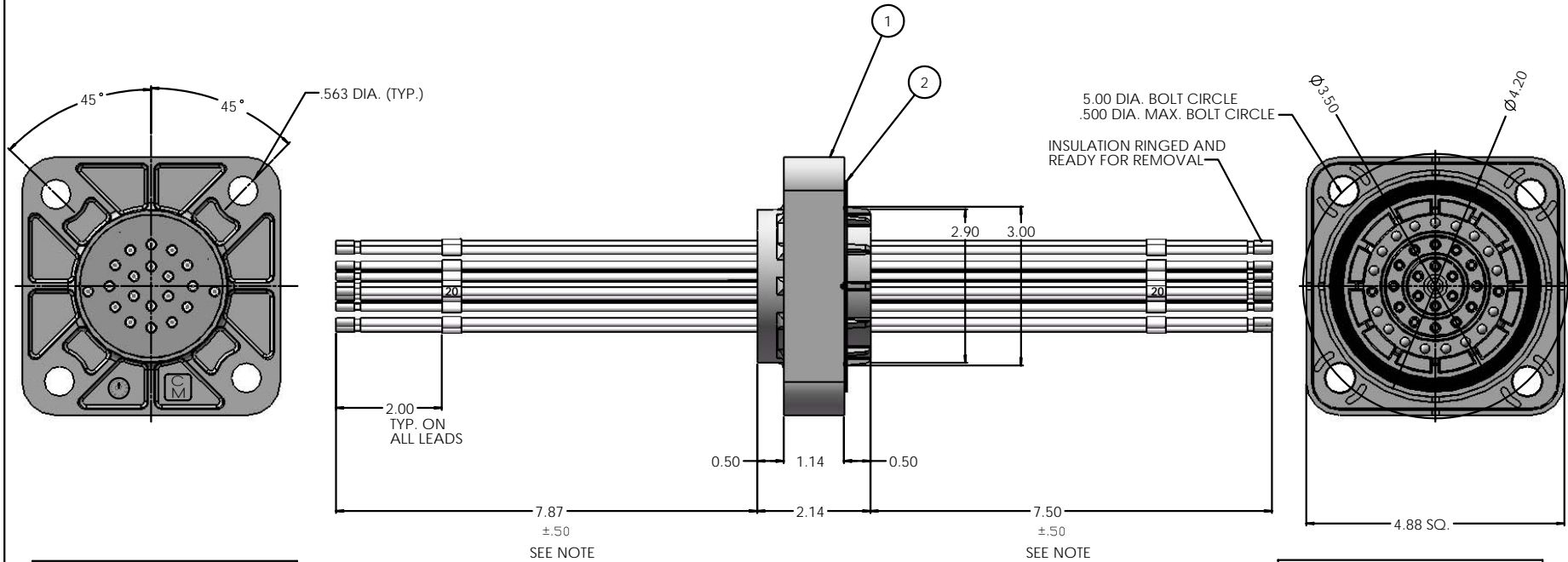


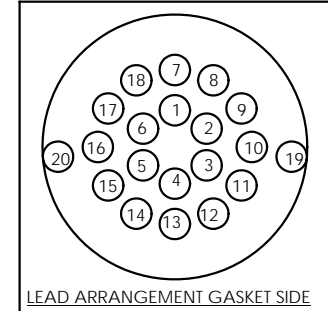
PROPRIETARY INFORMATION
 THE INFORMATION CONTAINED ON THIS DRAWING IS CONSIDERED PROPRIETARY AND MAY NOT, IN WHOLE OR IN PART, BE REPRODUCED OR USED FOR THE MANUFACTURE OF THE PART DISCLOSED HERE-IN WITHOUT THE WRITTEN PERMISSION OF CENTRAL MOLONEY, INC.

NO. 70312408



NOTE: DIFFERENCE IN LENGTH BETWEEN ANY TWO LEADS ON THE SAME END CAN NOT EXCEED .50"
 LEADS: #10 AWG STRANDED COPPER (TIN PLATED)
 TEFLON INSULATION

MAX. AC VOLTAGE 2.5 KV



NOTE: ALL DIMENSIONS ARE IN INCHES

2	GASKET BUNA'N'	32161831	1	EA.
1	CT JUNCTION BLOCK ASSY.	70312407	1	EA.
ITEM NO.	DESCRIPTION	RM-PP-CC NO.	QTY.	U/M

NO.	REVISION	ECN NO.	DATE	.XX=±.050	.XXX=±.010
-----	----------	---------	------	-----------	------------

DRWN BY	SCALE
R.O.	SCALE: 1:1
DATE	3/22/07
TOLERANCE UNLESS OTHERWISE SPECIFIED	
.X=±.100	
.XX=±.050 .XXX=±.010	

CM Central Moloney, Inc.
 Components Operation

5500 Jefferson Parkway-Phone (870) 247-5320-Pine Bluff, Arkansas 71602

TITLE CT JUNCTION BLOCK ASSY.
 20 LEAD (8" LEADS)

NO. 70312408
 REV.