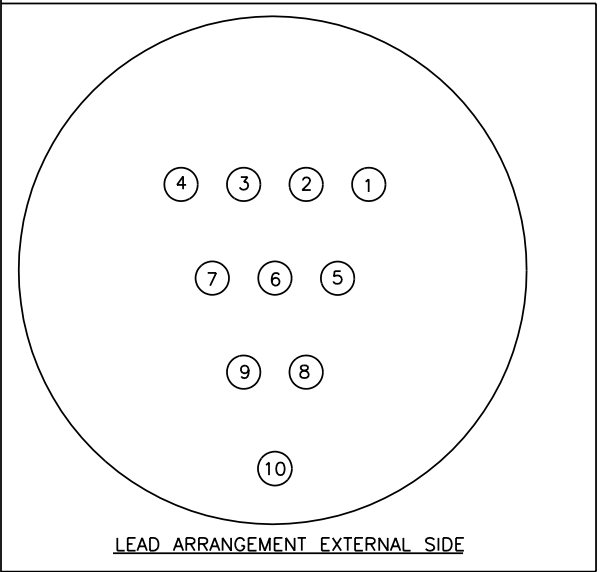
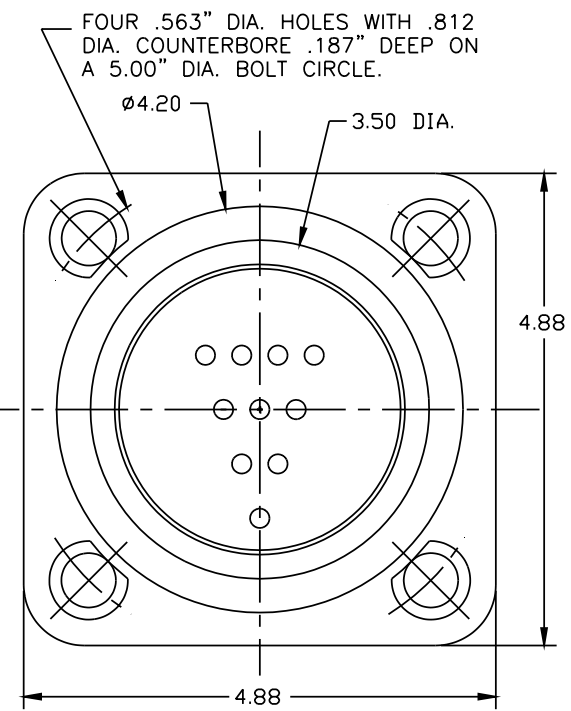
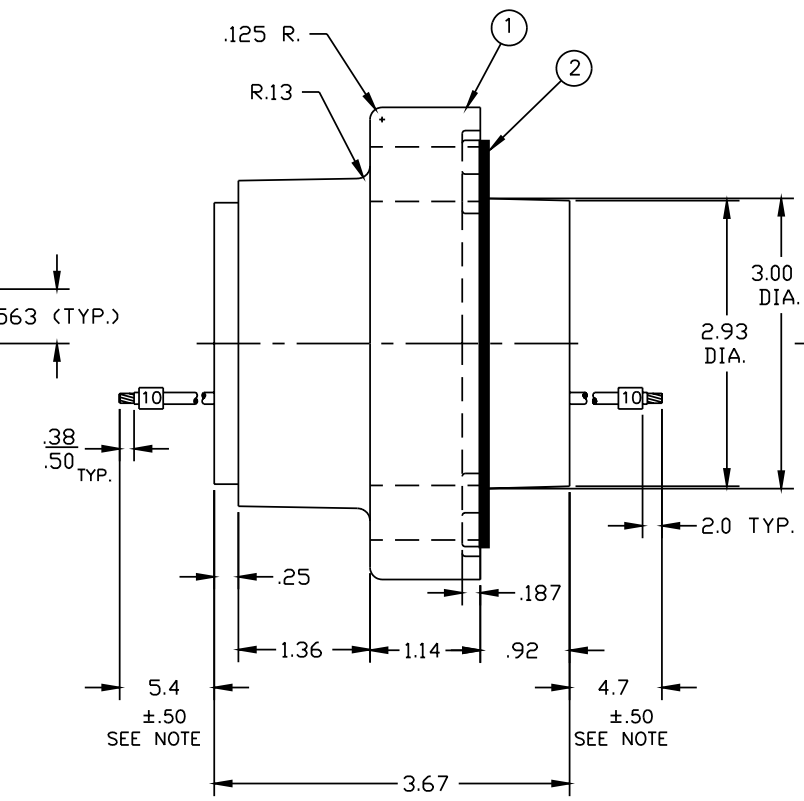
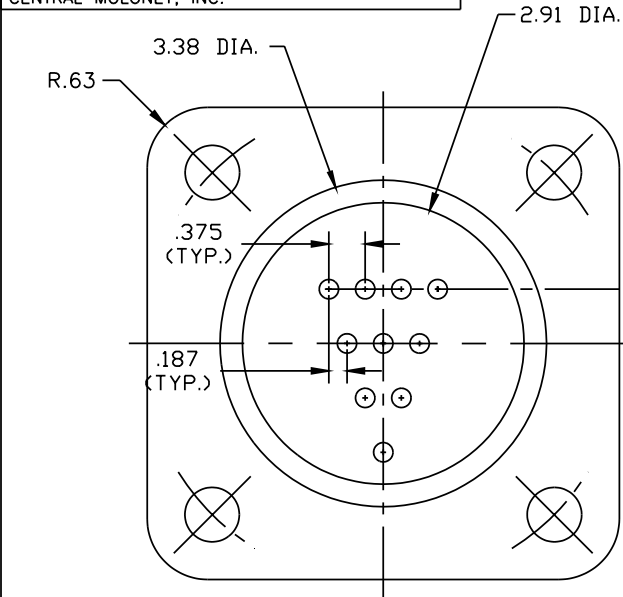


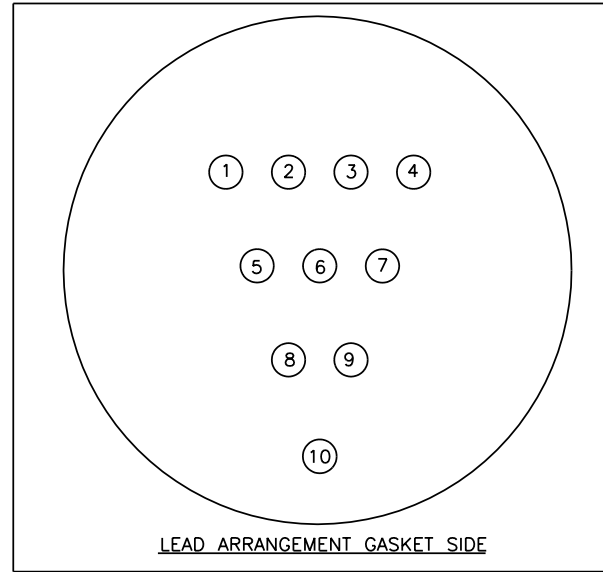
PROPRIETARY INFORMATION
 THE INFORMATION CONTAINED ON THIS DRAWING IS CONSIDERED PROPRIETARY AND MAY NOT, IN WHOLE OR IN PART, BE REPRODUCED OR USED FOR THE MANUFACTURE OF THE PART DISCLOSED HERE-IN WITHOUT THE WRITTEN PERMISSION OF CENTRAL MOLONEY, INC.



NOTE: DIFFERENCE IN LENGTH BETWEEN ANY TWO LEADS ON THE SAME END CAN NOT EXCEED .50\"/>

APPLIED POTENTIAL TEST
 2.5 KV, 60 HZ., 1 MINUTE, BETWEEN ADJACENT LEADS AND TO GROUND.

LEADS: # 10 AWG STRANDED COPPER



BODY MATERIAL: CYCLOALIPHATIC EPOXY

10	DIM. 5.4 WAS 3.75. DIM. 2.93 DIA. WAS 2.91 DIM. 3.67 WAS 3.06. DIM. .92 WAS 1.67. DIM. 4.7 WAS 3.75. REDESIGNED BODY. ADDED DIM. 3.38 DIA. ADDED DIM. 1.36	1541	2/21/02
9	2.91 DIA. WAS 2.75	1391	2/9/01
8	ADDED MATERIAL CONTENT NOTE.	1247	12/2/99
7	TOLERANCE ±.50 WAS ADDED TO LEAD LENGTH. ADDED LEAD LENGTH NOTE.	1219	8/24/99
6	REDRAWN TO MATCH PART MODIFICATION SEE ECH FOR DESCRIPTION OF CHANGES	1183	4/21/99
5	LEAD CENTERS DIM. .187 WAS .375	1141	9/17/98
4	ENLARGED THE LEAD ARRANGEMENT VIEW	673	9/21/95

NOTE: ALL DIMENSIONS ARE IN INCHES.

ITEM	DESCRIPTION	RM-PP-CC NO.	QTY	U/M
1	C.T. JUNCTION BLOCK	70311051	1	EA.
2	GASKET (BUNA 'N')	32161831	1	EA.

DATE: 9/21/95
 TOLERANCE UNLESS OTHERWISE SPECIFIED
 .X = ± .100
 .XX = ± .050
 .XXX = ± .010

Central Moloney, Inc.
 Components Operation
 5500 Jefferson Parkway - Phone (870) 247-5320 - Pine Bluff, Arkansas 71602

TITLE: 10 LEAD C.T. JUNCTION BLOCK
 NO. 70311052
 REV. 10