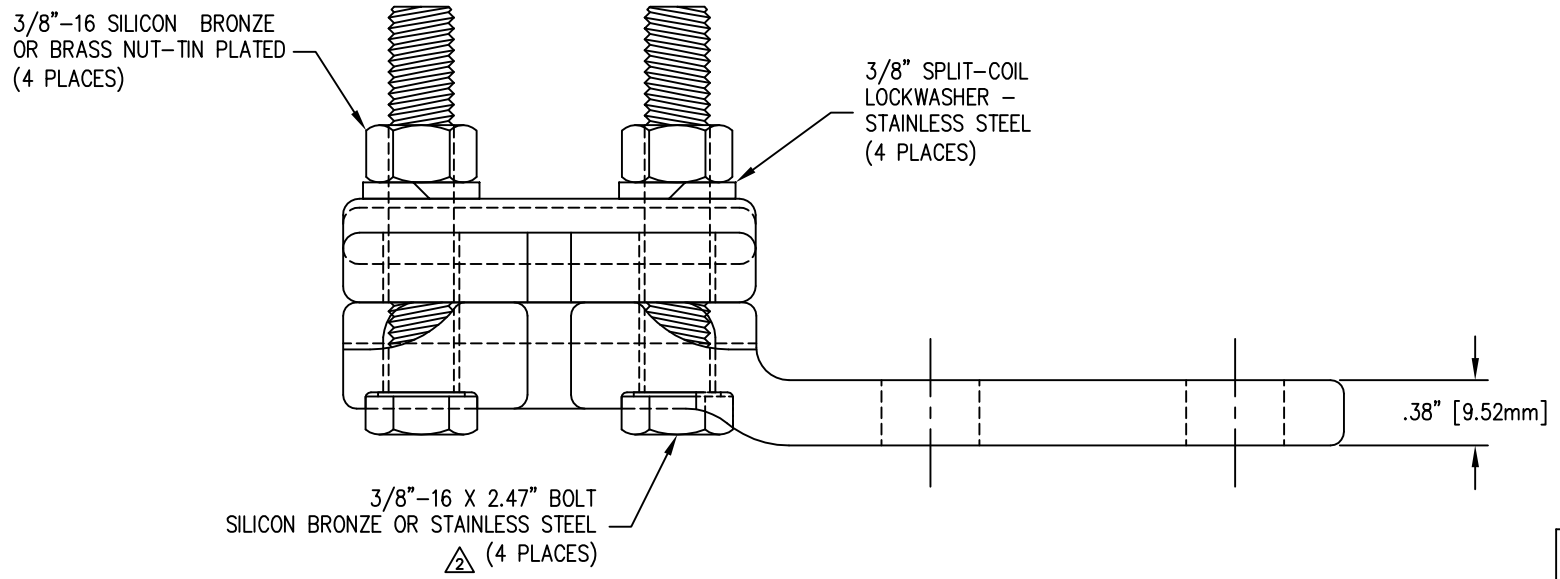
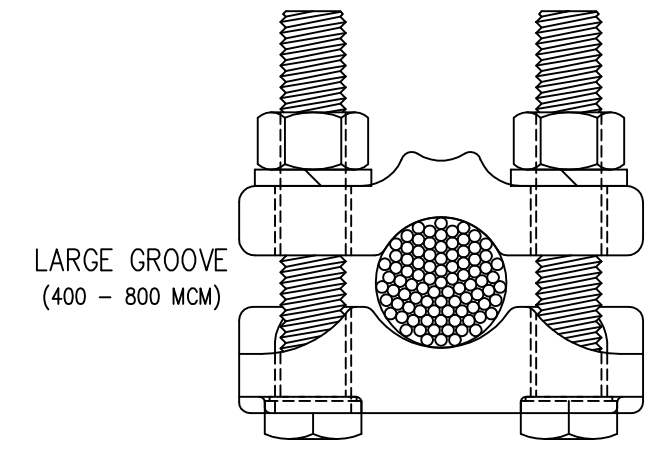
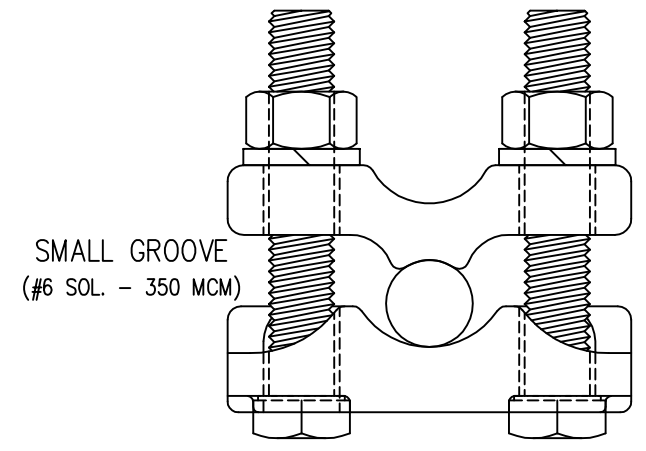
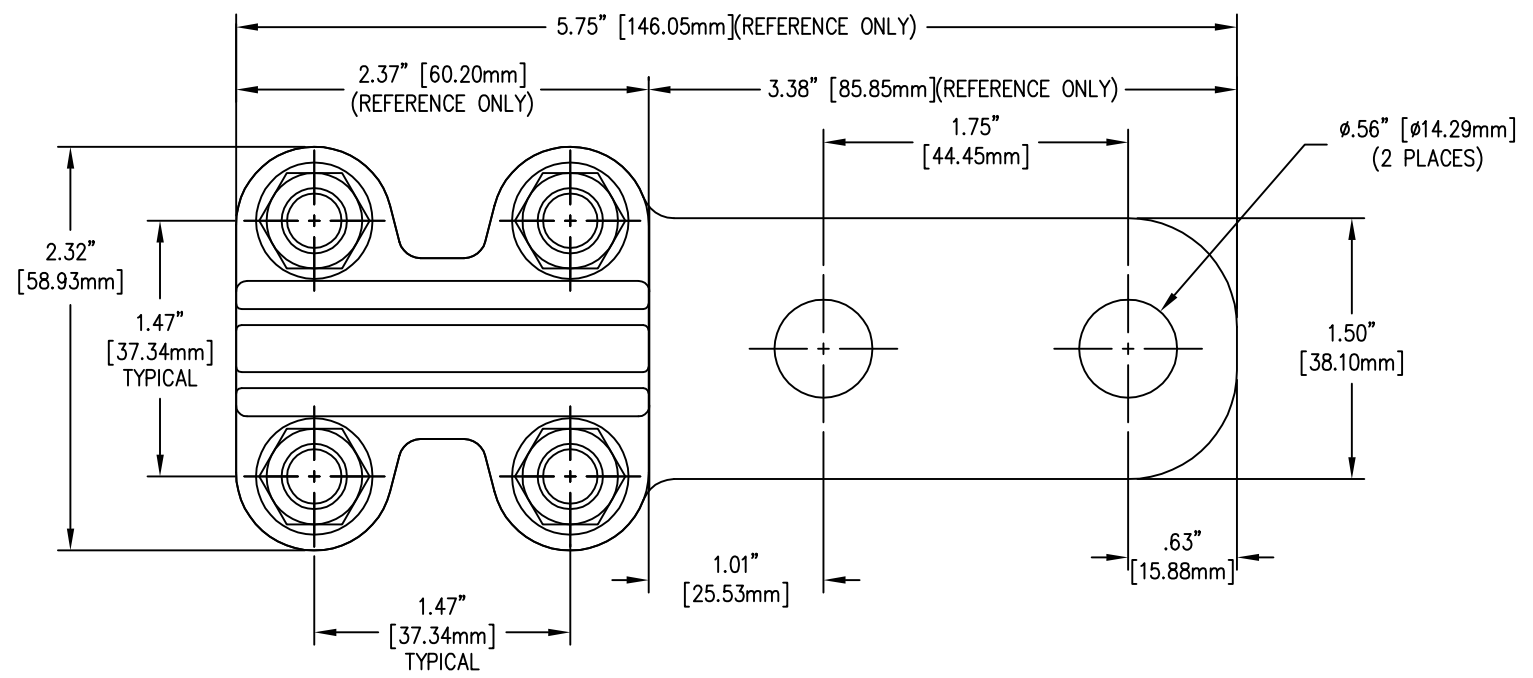


REVISIONS					
NO.	DATE	ECN #	REMARKS	BY	APPD.
1	7-22-99		ADDED TIN PLATING.	CJT	LHE
2	05-05-09	HJ09-097	"STAINLESS STEEL" ADDED	SMM	JFS



MATERIAL:
 TERMINAL CAP - CDA 955 TIN PLATED
 TERMINAL BODY - CDA 844 TIN PLATED

TOLERANCES (EXCEPT AS NOTED) DECIMAL ± .032"/.8mm FRACTIONAL ± ANGULAR ± 2°		H-J ENTERPRISES, INC. 3010 HIGH RIDGE BLVD. HIGH RIDGE, MO. 63049 USA PHONE 1-636-677-3421 FAX 1-636-376-1915			
		CABLE TO FLAT CONNECTOR			
		MATERIAL (SEE DRAWING)			
		CHK'D DRAWN BY TLH	APP'D DATE 6-7-96	DRAWING NO. BSWL10-005TP	SCALE N.T.S.