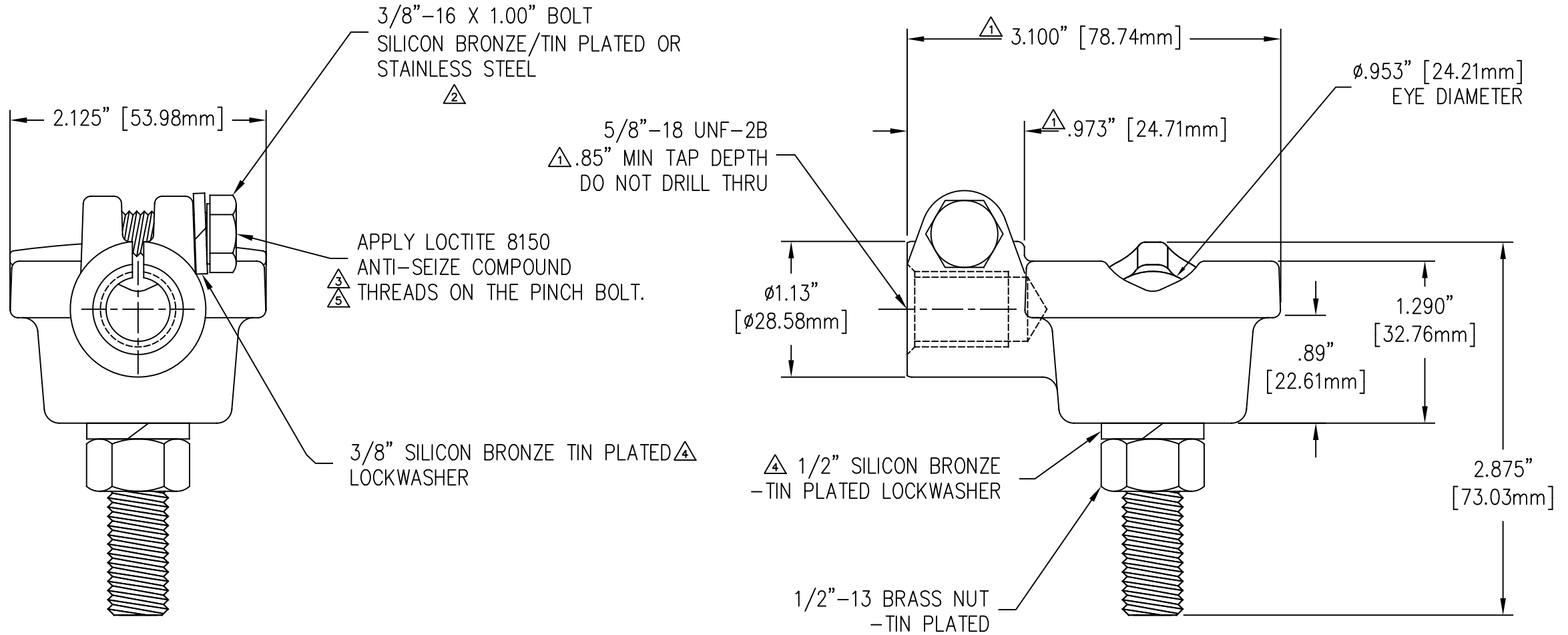



REVISIONS					
NO.	DATE	ECN #	REMARKS	BY	APPD.
1	4-19-99		REMARKS	CJT	LHE
2	05-05-09	HJ09-097	"STAINLESS STEEL" ADDED	SMM	JFS
3	10-5-12	HJ12-191	ADDED LOCTITE NOTE.	CJT	JFS
4	2-28-18	HJ18-043	WAS STAINLESS STEEL	CJT	BB
5	9-5-23	HJ23-193	WAS LOCTITE 767	CLS	JL



MATERIAL:
 TERMINAL BODY - CDA 844 TIN PLATED
 EYEBOLT - CDA 955 CDA TIN PLATED

TOLERANCES (EXCEPT AS NOTED)		H-J ENTERPRISES, INC.			
DECIMAL ± .032" / .8mm		3010 HIGH RIDGE BLVD. HIGH RIDGE, MO. 63049 USA PHONE 1-636-677-3421 FAX 1-636-376-1915			
FRACTIONAL ±		2-WAY STUD TO CABLE CONNECTOR 1/0 SOL. - 500 MCM			
ANGULAR ± 2°		MATERIAL (SEE ABOVE)			
	DRAWN BY BST	DATE 1-25-99	SCALE N.T.S.	DRAWING NO. BSEB40-005TP	