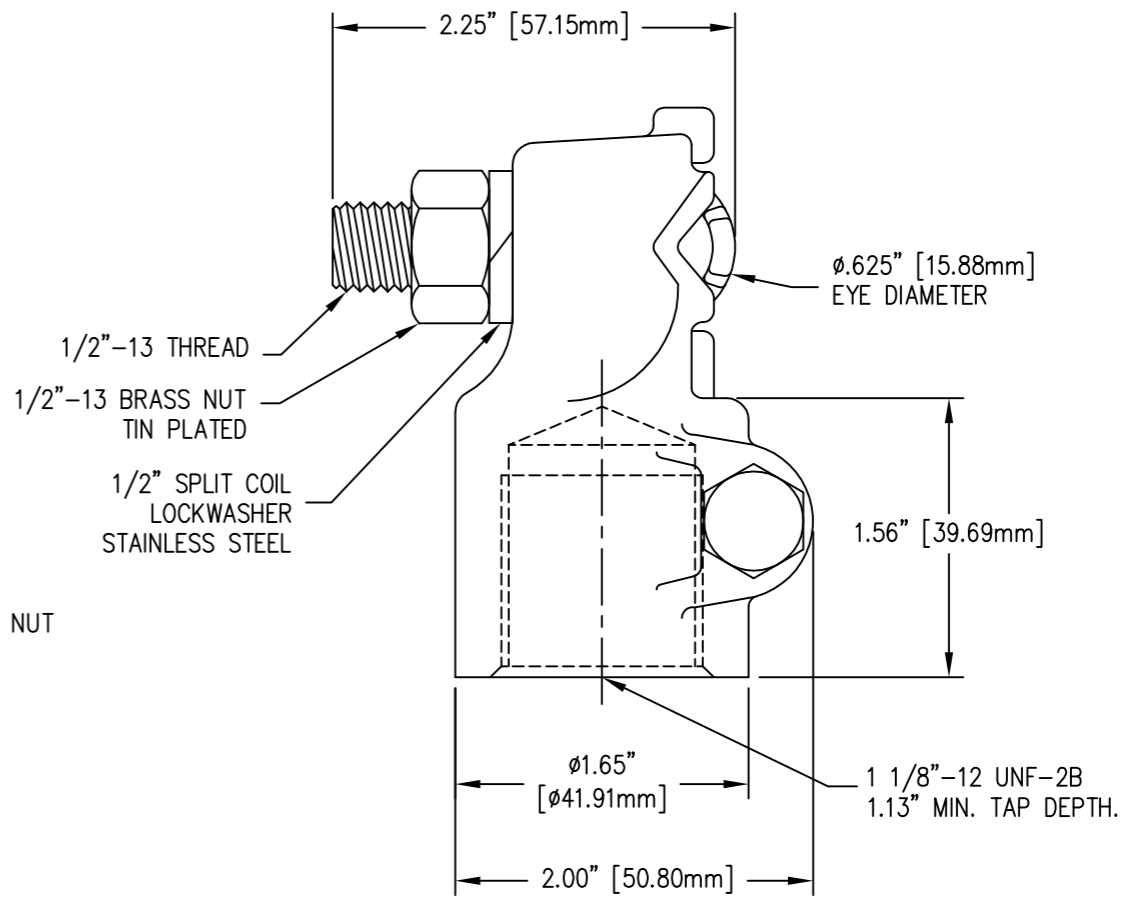
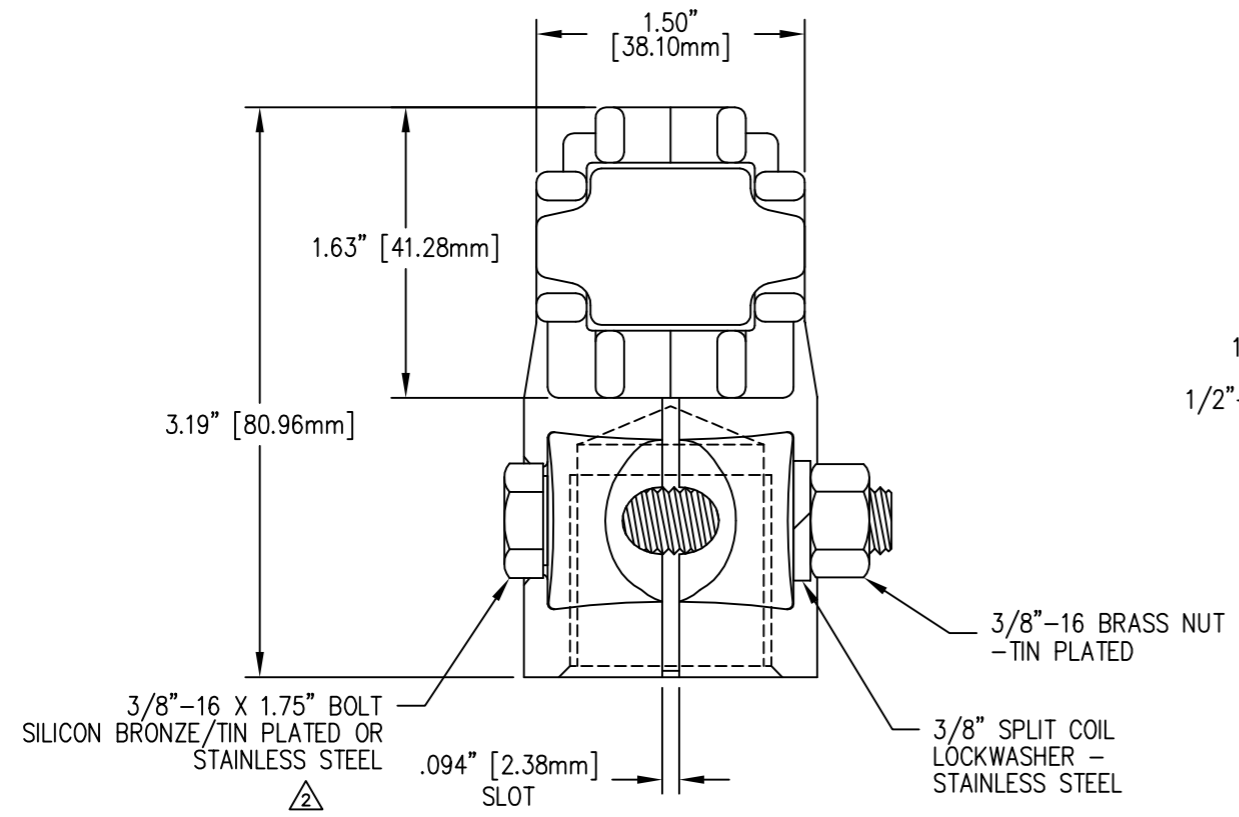


REVISIONS					
NO.	DATE	ECN #	REMARKS	BY	APPD.
①	4-3-06	HJ06-030	CHANGED ORIENTATION OF EYEBOLT. REMOVED VIEW.	PWD	SP
②	05-05-09	HJ09-097	"STAINLESS STEEL" ADDED	SMM	JFS



MATERIAL:  
 TERMINAL BODY - CDA 84400 TIN PLATED  
 EYEBOLT - CDA 95500 TIN PLATED

TOLERANCES (EXCEPT AS NOTED)	
DECIMAL	± .032" / .8mm
FRACTIONAL	±
ANGULAR	± 2°



**H-J ENTERPRISES, INC.**  
 3010 HIGH RIDGE BLVD. HIGH RIDGE, MO. 63049 USA  
 PHONE 1-636-677-3421 FAX 1-636-376-1915

STUD TO CABLE CONNECTOR #8 SOL. - 250 MCM		
MATERIAL (SEE ABOVE)		
CHK'D	APP'D	DRAWING NO.
DRAWN BY CJT	DATE 10-4-02	SCALE N.T.S.
BSEB20-015TP		