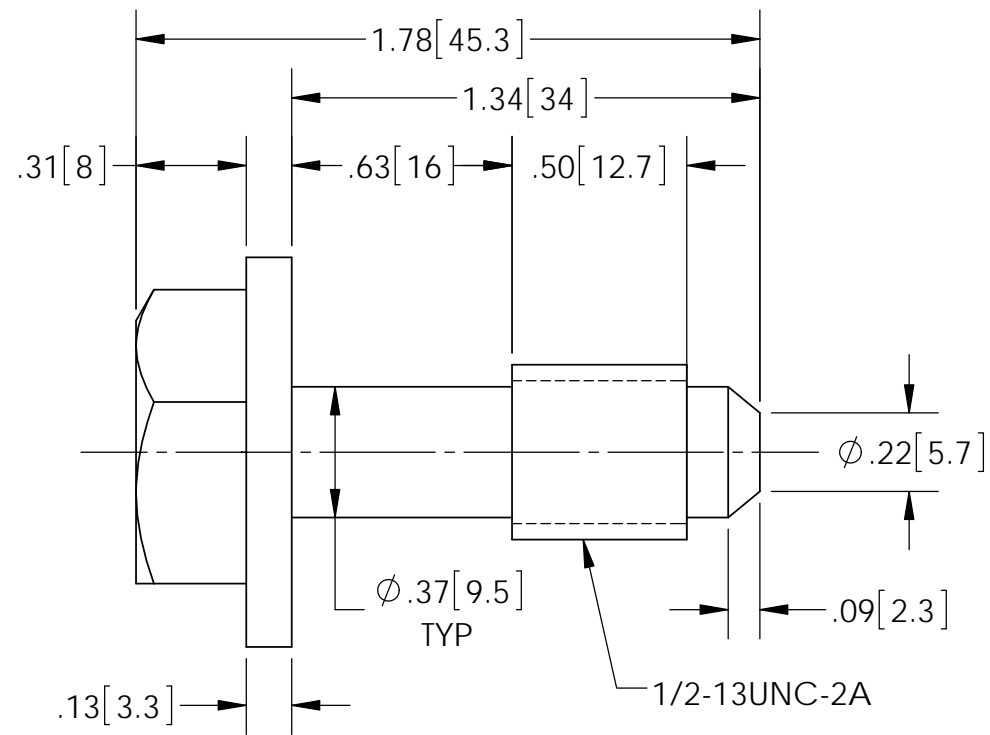
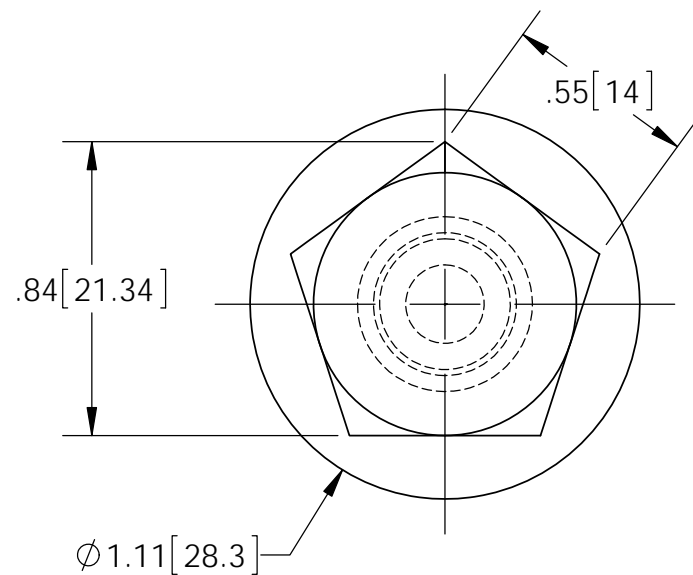


REVISIONS					
REV.	DATE	ECN #	DESCRIPTION	BY	APP'D
1	7/24/2015	PQI11936	CHG'D PART #, WAS 11936LN01	TJF	BLB



PROPRIETARY AND CONFIDENTIAL
 THE INFORMATION CONTAINED IN THIS
 DRAWING IS THE SOLE PROPERTY OF
 H-J ENTERPRISES, INC. ANY
 REPRODUCTION IN PART OR AS A WHOLE
 WITHOUT THE WRITTEN PERMISSION OF
 H-J ENTERPRISES, INC. IS
 PROHIBITED.
 REMOVE ALL BURRS & SHARP EDGES

**TOLERANCES
 (EXCEPT AS NOTED)**

DECIMAL
 +/- .015 / .4mm

FRACTIONAL
 +/-

ANGULAR
 +/- 2 Degrees



H - J ENTERPRISES, INC.
 3010 HIGH RIDGE BLVD. HIGH RIDGE, MO. 63049 USA
 PHONE 1-636-677-3421 FAX 1-636-376-1915

**PENTAHEAD BOLT,
 1.78"[45.3mm]LG W/ 1/2-13 THRDS**

MATERIAL 304 STAINLESS STEEL

CHK'D CJT APP'D 7/24/2015

DRAWING NO.

DRAWN BY TJF

DATE 7/24/15

SCALE N.T.S.

B00087-001