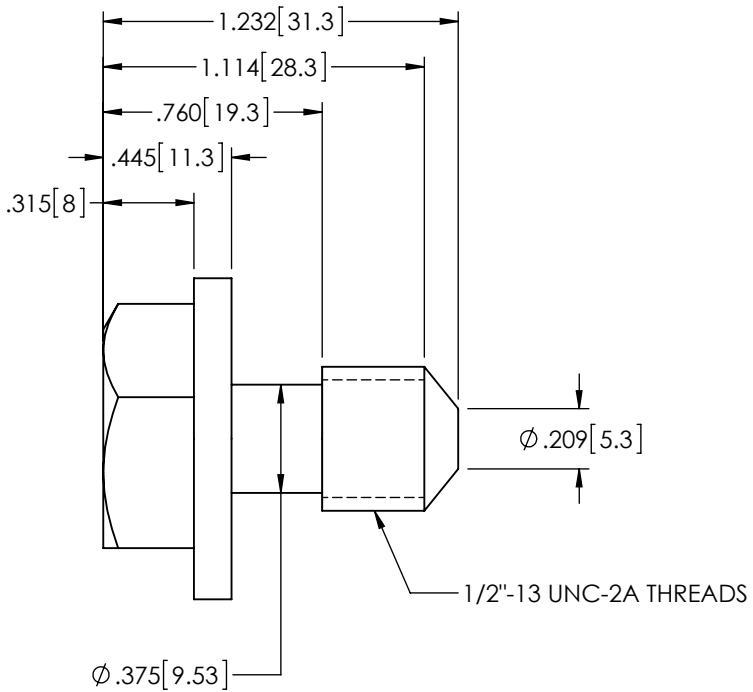
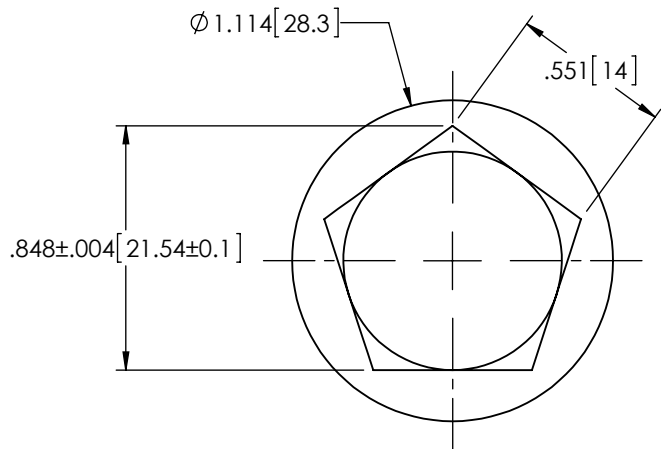
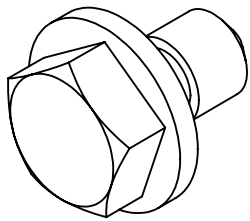


| REVISIONS | | | | | |
|-----------|-----------|----------|---|-----|----------|
| REV. | DATE | PQI # | DESCRIPTION | BY | APPROVED |
| 1 | 2/11/2015 | I0011320 | ADDED CUSTOMER PART #. CHG'D BLK TOL TO +0/-0.015[.4mm] | TJF | BLB |



NOTE:

- PART TO BE FREE OF ANY COATING SUCH AS PAINT, DIRT, ETC
- CUSTOMER PART #: DI64
- DIMENSIONS IN [mm] ARE MILLIMETERS



PROPRIETARY AND CONFIDENTIAL
 THE INFORMATION CONTAINED IN THIS DRAWING IS THE SOLE PROPERTY OF H-J INTERNATIONAL, INC. ANY REPRODUCTION IN PART OR AS A WHOLE WITHOUT THE WRITTEN PERMISSION OF H-J INTERNATIONAL, INC. IS PROHIBITED.

TOLERANCES (EXCEPT AS NOTED)

| | |
|------------|---------------------|
| DECIMAL | +0 / -.015" [0.4mm] |
| FRACTIONAL | +/- |
| ANGULAR | +/- 2 Degrees |



H - J INTERNATIONAL, INC.
 3010 HIGH RIDGE BLVD. HIGH RIDGE, MO. 63049 USA
 PHONE 1-636-677-3421 FAX 1-636-376-1915

1/2"-13 PENTAHEAD BOLT

MATERIAL 304 STAINLESS STEEL

CHK'D CJT APP'D 01/05/15

SCALE N.T.S.

DRAWING NO.

B00078-001

DRAWN BY CLS

DATE 01/05/2015