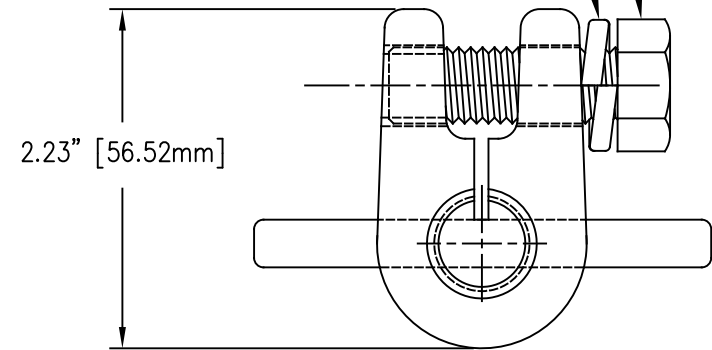


REVISIONS					
NO.	DATE	ECN #	REMARKS	BY	APPD.
1	05-05-09	HJ09-097	"STAINLESS STEEL" ADDED	SMM	JFS
2	10-5-12	HJ12-191	ADDED LOCTITE NOTE.	CJT	JFS
3	2-28-18	HJ18-043	WAS STAINLESS STEEL	CJT	BB
4	9-8-23	HJ23-193	WAS LOCTITE 767	CLS	JL

1/2"-13 X 1.50" BOLT
-SILICON BRONZE/TIN PLATED OR
STAINLESS STEEL

1/2" LOCKWASHER
SILICON BRONZE TIN PLATED



TOLERANCES (EXCEPT AS NOTED)	
DECIMAL	± .032" / .8mm
FRACTIONAL	±
ANGULAR	± 2°



H-J ENTERPRISES, INC.
3010 HIGH RIDGE BLVD. HIGH RIDGE, MO. 63049 USA
PHONE 1-636-677-3421 FAX 1-636-376-1915

STUD TO SPADE CONNECTOR

MATERIAL CDA 844 TIN PLATED

CHK'D APP'D DRAWING NO.

BHDSF35-005TP

DRAWN BY CJT

DATE 3-15-01

SCALE N.T.S.