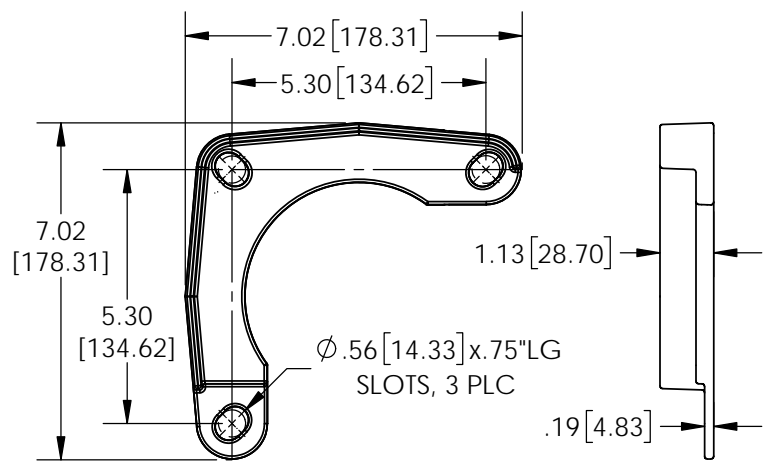
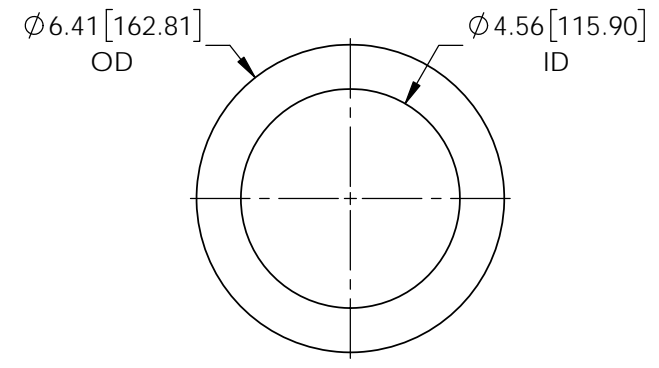


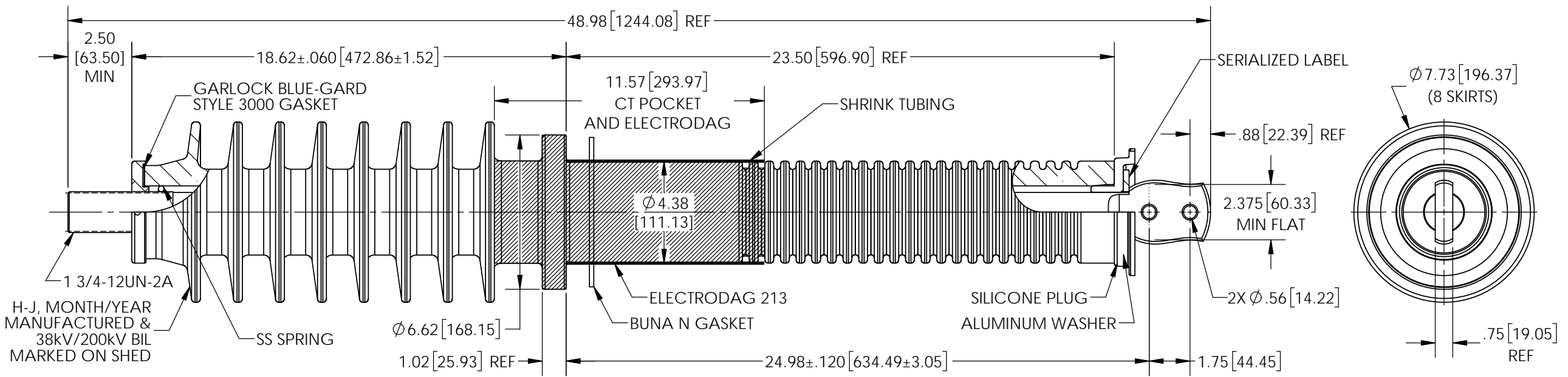
REVISIONS					
REV.	DATE	ECN #	DESCRIPTION	BY	APP'D
1	7/14/2020	HJ20-177	REVERSED "INTERNAL" AND "EXTERNAL"	MAD	CLS



ROOF MOUNTING FLANGE
 REQ'D: 2 PER ASSY
 MAT'L: ALUMINUM



BUSHING TO ROOF GASKET
 REQ'D: 1 PER ASSY
 MAT'L: .19 ± .020 NITRILE BUNA N



PORCELAIN NOTES:
 1. WET PROCESS ELECTRICAL PORCELAIN
 2. GRAY GLAZE MUNSELL 5BG 7.0/0.4
 3. TOLERANCE ±3% WITH NOTHING LESS THAN ±.03, UNLESS OTHERWISE NOTED ON DRAWING
 4. CREEPAGE: > 38.55" TOP
 > 24.54" BOTTOM
 5. STRIKE DIST: > 15.60" TOP
 > 15.60" BOTTOM
 6. CONDUCTOR - COPPER C11000
 EXTERNAL END - TIN PLATED
 INTERNAL END - SILVER PLATED



PROPRIETARY AND CONFIDENTIAL
 THE INFORMATION CONTAINED IN THIS
 DRAWING IS THE SOLE PROPERTY OF
 H-J ENTERPRISES, INC. ANY
 REPRODUCTION IN PART OR AS A WHOLE
 WITHOUT THE WRITTEN PERMISSION OF
 H-J ENTERPRISES, INC. IS
 PROHIBITED.
 REMOVE ALL BURRS & SHARP EDGES

TOLERANCES (EXCEPT AS NOTED)	
DECIMAL	+/- .032 / .8mm
FRACTIONAL	+/-
ANGULAR	+/- 2 Degrees



H-J ENTERPRISES, INC. 3010 HIGH RIDGE BLVD. HIGH RIDGE, MO. 63049 USA PHONE 1-636-677-3421 FAX 1-636-376-1915			
38KV-200KV BIL BUSHING ASSY W/ SMASHED END COPPER CONDUCTOR & 1 3/4-12 THRDS			
MATERIAL SEE DRAWING			
CHK'D	CJT	APP'D	5/2/19
DRAWN BY		DATE	DRAWING NO.
MAD		5/2/2019	AS1462-020
SCALE		N.T.S.	