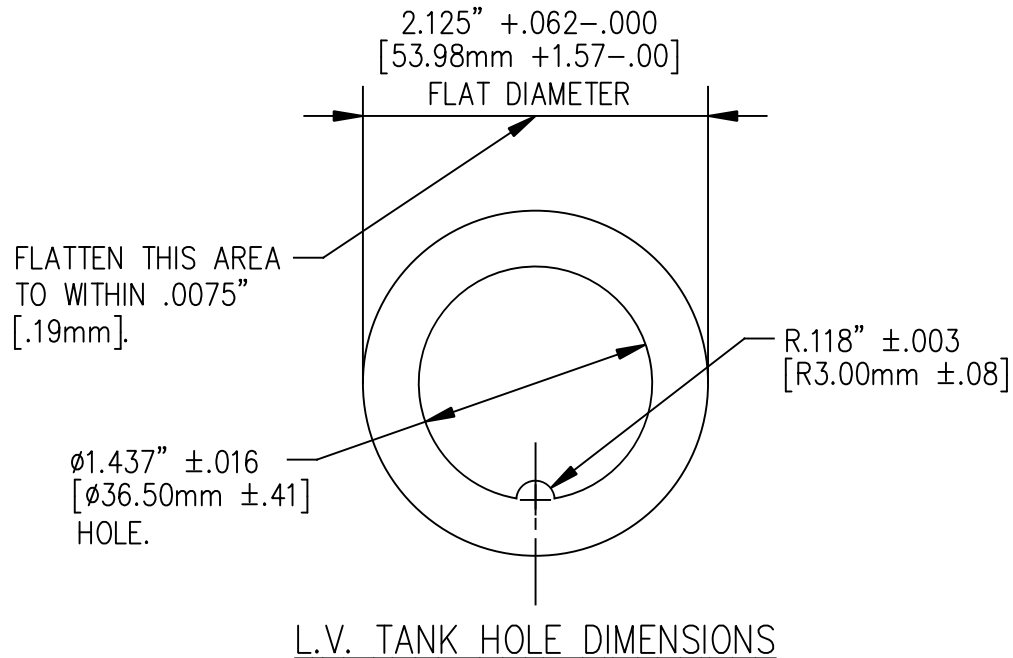
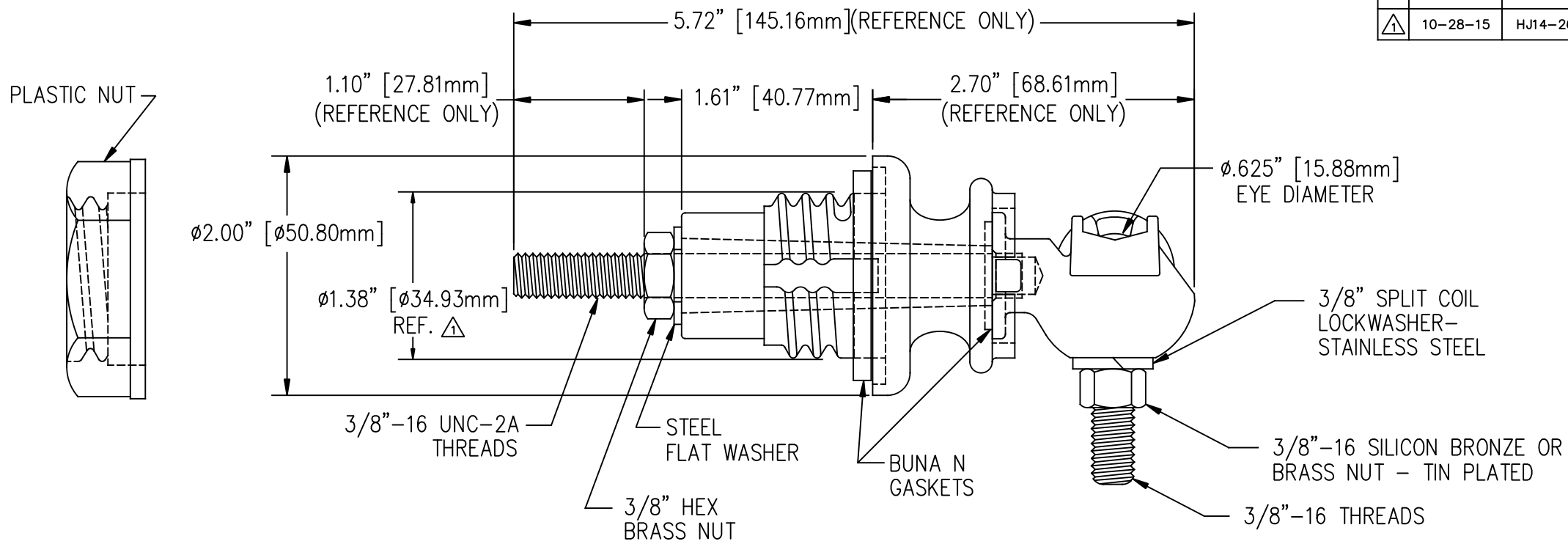


REVISIONS

NO.	DATE	ECN #	REMARKS	BY	APPD.
△	10-28-15	HJ14-269	Ø1.38 REF. WAS Ø1.39	CLS	BLB



NOTES:

1. INCLUDES TWO EXTRA BRASS NUTS.

MATERIAL:

STUD - COPPER CDA 11000  
 BODY - CDA 84400 TIN PLATED  
 EYEBOLT - CDA 95500 TIN PLATED

<p>TOLERANCES (EXCEPT AS NOTED)</p> <p>DECIMAL ± .032" / .8mm</p> <p>FRACTIONAL ±</p> <p>ANGULAR ± 2°</p>		<p><b>H-J ENTERPRISES, INC.</b>                  3010 HIGH RIDGE BLVD. HIGH RIDGE, MO. 63049 USA                  PHONE 1-636-677-3421 FAX 1-636-376-1915</p>	
		<p>15 KVA L.V. BUSHING ASSEMBLY                  NON-PORCELAIN INSULATOR</p>	
		<p>MATERIAL (SEE ABOVE)</p>	
		<p>CHK'D</p>	<p>APP'D</p>
<p>DRAWN BY CJT</p>	<p>DATE 4-24-03</p>	<p>SCALE N.T.S.</p>	<p>AS1000-037</p>